

TS 211

Function

Output device with 3 outputs 1/10V to control the remote control dimmers EV101, EV103 and ballasts or electronic transformers with 1/10V control input.

One NO contact for each output to switch the ballasts at position OFF or to switch additional lighting groups.

The TS 211 is controlled over the system line by allocated tebis TS inputs.

The device also provides a manual override facility \uparrow and a visual indicator ON/OFF.

Technical Specifications

Electrical data

- Supply voltage: 230 V ~ 50 Hz + system voltage 29 V
- power draw: 5 VA
- watts loss: 10 W max.

Operation data

- contact's loading capacity Indicator:
 - AC1: 16 A 250 V
 - 2 000 W incandescent lamps
- electrical endurance:
 - 180 000 operations at 16 A AC1
 - 125 000 operations at 2 000 W incandescent lamps
- control outputs 1/10 V:
 - current sink capacity 50 mA max. or 30 x EV 101 or EV 103.

Environment

- operation: 0 °C to +45 °C
- storage: -20 °C to +70 °C

Connection

- cage clamps: flexible: 1 mm² to 6 mm²
- rigid: 1.5 mm² to 10 mm²

Dimensions

- size: 6 modules

User instruction

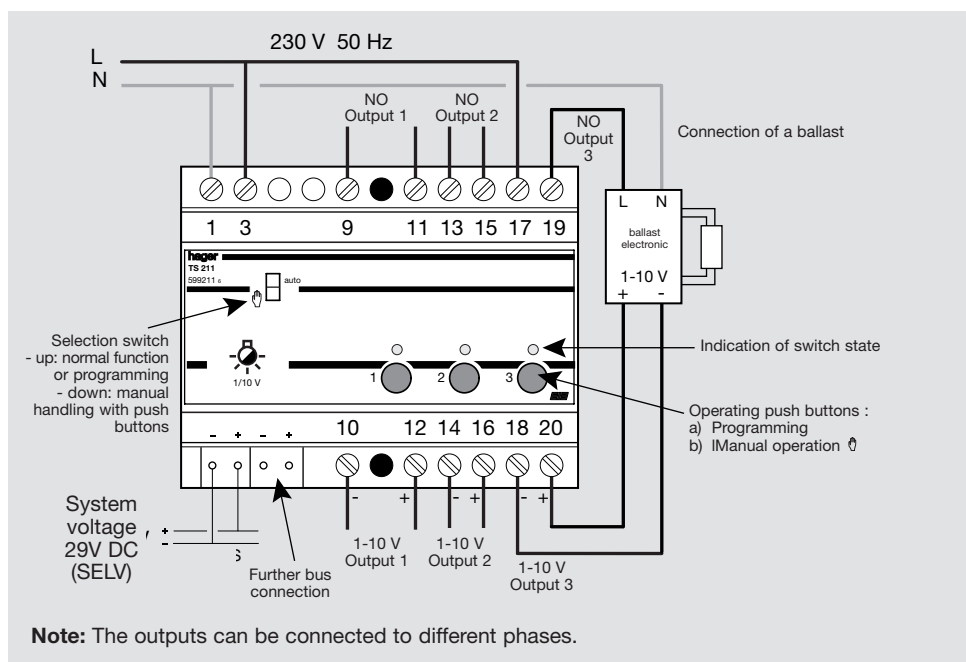
Switch/Dimmer output

3 voltage free NO contacts 16A AC1
3 control outputs 1/10 V

Safety Recommendations:

- Installation should only be carried out by a suitable qualified electrician.
- This device will only function as part of the tebis TS system.
- Observe the installation regulations of the protection measures SELV.
- Observe instructions of ballast manufacturer.

Electrical connection



Installation instruction:

1. Observe operation temperature. Mount device in lower part of the enclosure.
2. Connect auxiliary voltage 230V AC and system voltage.
3. Connect outputs.
4. Verify the outputs' function :
 - put selection switch into position \uparrow
 - switch loads by pushing the push buttons.
5. Verify connection of system voltage
 - put selection switch into position "auto".
 - in case of absence of system voltage all state indicators flash.
6. Observe the rules of the **tebis TS operating instruction**.

Warranty



A warranty period of 24 months is offered on hager products, from date of manufacture, relating to any material of manufacturing defect. If any product is found to be defective it must be returned via the installer and supplier (wholesaler). The warranty is withdrawn if :

- after inspection by hager quality control dept the device is found to have been installed in a manner which is contrary to IEE wiring regulations and accepted practice within the industry at the time of installation.
- the procedure for the return of goods has not been followed. Explanation of defect must be included when returning goods.