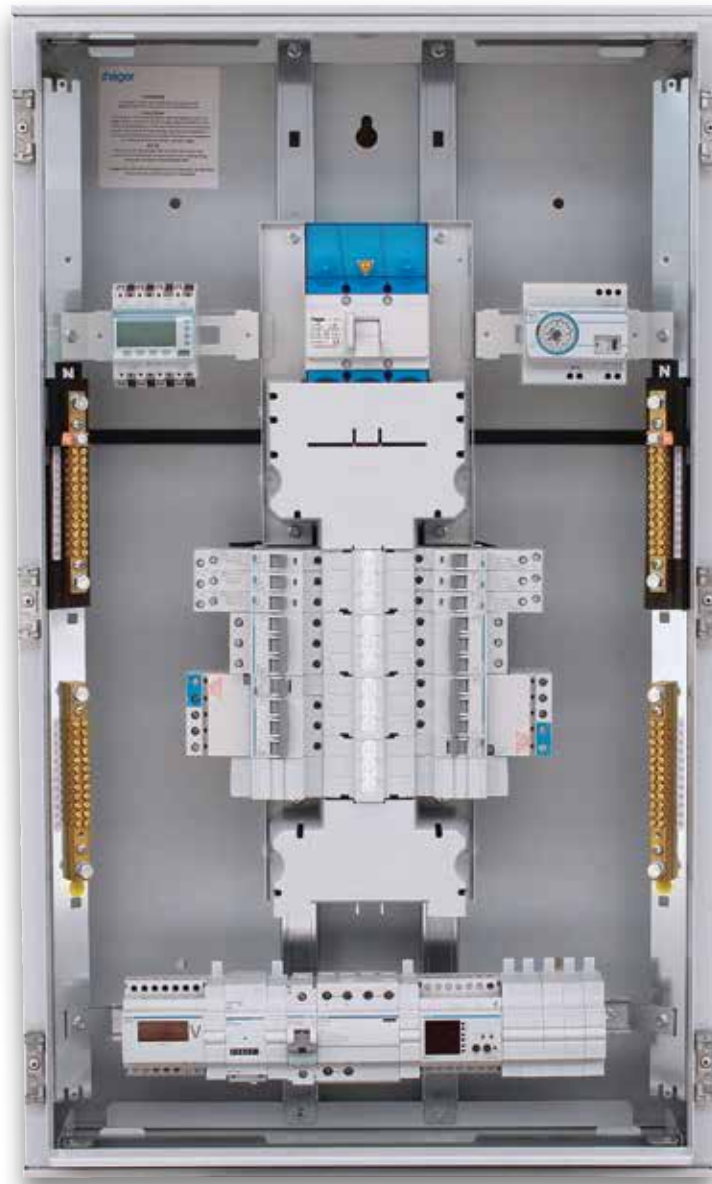


Panelboard Range

Our invicta Panelboards are designed to suit large home, light commercial or retail applications. The range comes fitted with 2 x 8 poles of DIN space and offers split N & E links for ease of cabling, a reversible door and optional MCB incomer link kit. These features make it the benchmark for multi-usage panelboards.

Our performa Panelboards are available up to 400A, in a stainless steel version, with split chassis or hybrid chassis and offers a comprehensive range of devices from protection to energy metering. Prefitted, wired and assembled in Australia, it guarantees full flexibility of configuration and reduced delivery time.



| | |
|--|----|
| Guide to the Hager Panelboard Range | 46 |
| invicta Panelboards | 49 |
| performa - apex Panelboards | 54 |
| performa - apex PLUS Panelboards | 55 |
| performa - apex PLUS Panelboards with Split Chassis | 56 |
| performa - elite IP66 Panelboards | 59 |
| performa - elite IP66 Panelboards with Split Chassis | 60 |
| performa - elite 400 IP66 Panelboards | 63 |
| Enclosed Solutions - ATS / MTS | 65 |
| Enclosed Solutions - MCCB | 66 |
| Tee-off Boxes | 67 |
| Technical Information | 68 |



Panelboards

invicta Panelboards
Page 49

performa apex Panelboards
Page 54

performa apex PLUS Panelboards
Page 55

| No. of Poles | 24, 36, 48, 60, 72 | 24, 36, 48, 60, 72, 96 | 24, 36, 48, 60, 72, 96 |
|--------------|--|---|---|
| Chassis type | Standard | Standard | Standard or split |
| DIN rail | 2 x 8 pole | 2 x 6 pole | 2 x 6 Pole & 24 Pole |
| Depth | 135mm | 200mm | 200mm |
| Material | 1.2mm galvanised steel | 1.6mm galvanised steel | 1.6mm galvanised steel |
| Colour | RAL 7035 | RAL 7035 or X15 orange | RAL 7035 or X15 orange |
| IP | IP30 | IP43 | IP43 |
| N & E Links | N&E links with large connection points | Split N&E links with bridged Neutrals | Split N&E links with bridged Neutrals |
| Doors | Lockable door (CL001) | Lockable door (CL001) with 3 point locking system | Lockable door (CL001) with 3 point locking system |

performa Panelboard Accessories (apex and elite series)



Spare Chassis



Main Switch and Secondary Switch Kits



Gland Plates

| References | JPDxxxxC | Main switch - JPA0xxxK Secondary switch - JPA0xxx0 | For apex - JPAGPALU/JPAGPALUX For elite - JPEGPALU/JPEGPALUX |
|------------|----------|---|---|
|------------|----------|---|---|



performa elite Panelboards
Page 59



performa elite 400 Panelboards
Page 63



Extension Box



Tee-off Boxes
Page 67

| | | | |
|---|---|--|------------------------|
| 24, 36, 48, 60, 72, 96 | 18, 30, 36, 42, 48, 60, 72, 96 | Blank or 2 rows of 24 pole | 3 pole fuse or MCCB |
| Standard or split | Standard or Hybrid | N/A | N/A |
| 2 x 6 Pole & 24 Pole | | Blank(mounting pan) or 48 pole | N/A |
| 250mm | 250mm | apex series - 200mm elite series - 250mm | 250mm |
| 1.6mm galvanised steel or 1.2mm 316 stainless steel | 1.6mm galvanised steel or 1.2mm 316 stainless steel | 1.2mm galvanised steel or elite series - 1.2mm 316 stainless steel | 1.2mm galvanised steel |
| RAL 7035 or X15 orange | RAL 7035 or X15 orange | RAL 7035 or X15 orange | RAL 7035 |
| IP66 | IP66 | IP43 (apex) IP66 (elite) | IP20 |
| Split N&E links with bridged Neutrals | Split N&E links with bridged Neutrals | N & E links optional | N/A |
| Lockable door (CL001) with 3 point locking system and padlockable swinghandle | Lockable door (CL001) with 3 point locking system and padlockable swinghandle | Lockable door (CL001) | N/A |



Pole Fillers

1 mod - JVCOPFL
1.5 mod - JPE015PFL
1 mod - JP012



Cylinder Inserts for elite Swinghandle

FLxxZ



Wall Mount Brackets

FL85Z



Smoke Seal

JPASMSEALx

Panelboard Solutions

invicta Panelboards



Developed as an optimised solution for small to medium commercial installations and large home projects. Available in 24, 36, 48, 60 and 72 pole.

onekombo

ADC9xxT, MSNxxxx, MDNxxxx



Our onekombo RCBO range offers a breaking capacity of 6kA, are type A rated and can be swiftly mounted with all other modular protection devices in invicta panelboards.

Add-On Block

Bx163T



The compact one module wide Add-On Block (AOB) can be used in combination with any Hager 3P MCB up to 63A.

performa Panelboards



Ideal for multi-residential, commercial and industrial applications. Available in 24 to 96 pole, with X15 orange colour and other options as set out below. More than 500 variations assembled in Australia for quick delivery. Also available as bottom fed.

Protection Devices

AxA1, Ax1, MSNxxxx, MDNxxxx, NDNxxxx, NTxxxx, HMxxxxT*



Our commercial single module RCBO range is available in 6kA (ADA1) or 10kA (AD1) breaking capacity. Both are type A and come with a functional earth lead.
*HMxxxxT is for elite 400 only

Add-On Block

Bx163T



The compact one module wide Add-On Block (AOB) can be used in combination with any Hager 3P MCB up to 63A.

| | apex | apex PLUS | elite | elite 400 |
|---------------------------|------|-----------|-------|-----------|
| IP rating | IP43 | IP43 | IP66 | IP66 |
| 24 pole of additional DIN | ✓ | ✓ | ✓ | ✓ |
| Split chassis option | | ✓ | ✓ | |
| Stainless steel option | | | ✓ | ✓ |
| Hybrid chassis option | | | | ✓ |

Features

- Available in 24, 36, 48, 60 & 72 poles
- 1.2mm tough powdercoated galvanised steel construction
- Powdercoated RAL7035 (light grey)
- IP30
- Complete with either a 160A or 250A main isolator switch prefitted
- Split earth and neutral links for easy cabling
- Fully type tested chassis
- 2 x 8 pole DIN space each side of main incomer
- Lockable door (CL001)
- Safety pole fillers remain with chassis when escutcheon is removed
- Circuit identification card
- Positive MCB alignment system

Technical information: [Page 68](#)

invicta Panelboards

| Description | Characteristics | Cat. ref |
|-----------------------|-----------------|---------------------|
| With 160A main switch | 24 pole chassis | JVC2400S16TW |
| | 36 pole chassis | JVC3600S16TW |
| | 48 pole chassis | JVC4800S16TW |
| | 60 pole chassis | JVC6000S16TW |
| | 72 pole chassis | JVC7200S16TW |
| With 250A main switch | 24 pole chassis | JVC2400S25TW |
| | 36 pole chassis | JVC3600S25TW |
| | 48 pole chassis | JVC4800S25TW |
| | 60 pole chassis | JVC6000S25TW |
| | 72 pole chassis | JVC7200S25TW |



JVC2400S16TW

Extension Boxes

| Description | Characteristics | Cat. ref |
|---|-----------------|------------------|
| Supplied without gland plates. Gland plates only required if mounting as a stand alone. | 2 row 18 DIN | JVC0EXTDW |



JVC0EXTDW

Accessories

| Description | Characteristics | Width | Cat. ref |
|----------------------------|----------------------|--------|------------------|
| Incomer link kit | For 3Ø 80-125A MCB | 4.5mod | JVC0M12 |
| | For 3Ø up to 63A MCB | 3 mod | JVC0M06 |
| MEN kit | | | JVC0MEN |
| Gland plates | | | JVC0GPL |
| Safety pole fillers (10PK) | | | JVC0PFL |
| 1 mod pole fillers (10PK) | | | JP012 |
| Door lock and key (CL604) | | | JVCL604 |
| Door lock and key (CL001) | | | JVC0LCK |
| Door lock and key (92268) | | | JVC92268 |
| Spare keys (CL001) | 2 keys | | JVC0LSK |
| Document holder | | | JK2X007AU |



JVC0M12

performa Panelboard Range

Our range of performa Panelboards is designed and assembled in Australia and can either be supplied standard or entirely loaded and wired.

The apex and apex PLUS series are available in 24 to 96 pole standard chassis, with 11 different split chassis options and 24 poles of additional DIN for the apex PLUS.

The elite series has an IP66 rating, is available in a high current standard or hybrid chassis and has a 316 stainless steel material option across the entire range.



Advantages:

- Hinged, removable and reversible door and escutcheon
- Can be supplied standard or fully loaded and wired
- Common accessories such as extension boxes, gland plates, handles and smoke seal
- Direct connection (no switch) option
- elite range has a maximised depth for air flow & cables

Characteristics:

- | | |
|------------------------------------|---|
| - Chassis sizes: | - 24, 36, 48, 60, 72, 96 |
| - Incomers: | - 160/250/400A isolator or 160A/200A MCCB |
| - apex PLUS features: | - 24 pole of additional DIN space |
| - apex PLUS split chassis options: | - 11 types |
| - elite rated current: | - 250A or 400A |



01

A tough 1.6mm galvanised steel construction with a ripple powdercoating in either RAL7035 light grey or X15 orange. The elite range also has a 316 grade stainless steel option.



02

The entire performa range has a three point locking system to ensure security and IP are maintained. All handles are key lockable, with additional key barrels available.



03

The apex and apex PLUS panelboards are ideal for internal applications with an ingress protection rating of IP43. The elite range is IP66 and ideal for external applications.



04

The new hybrid chassis accommodates Hager 'HMFxxT' 10kA MCB with a 27mm (1.5 mod) width. Available in 1, 2 or 3 pole versions, it will accept up to 35mm² flexible cable.



05

For complete protection against touching live parts once energized, safety caps and safety pole fillers are provided in all our performa panelboards for IP2X protection.



06

The one module RCD Add-On Block suits any Hager 10kA commercial MCB up to 63A. Providing 3 phase earth leakage protection for our performa panelboards.

4 easy steps to select your panelboard configuration

01

Pick your range

02

Pick your chassis

03

Pick your incomer

04

Pick your colour

01 apex - IP43



JPA2400S25TW

| | | | | | |
|---------------------|-------------|------------------------|------------------------|-----------------------|----------------------------|
| | | 02 | 03 | 04 | |
| | JPA | #### | ### | T# | |
| | | CHASSIS OPTIONS | INCOMER OPTIONS | COLOUR OPTIONS | |
| FULL CHASSIS | 2400 | 24 pole chassis | NSS | No switch supplied | W Standard RAL 7035 |
| | 3600 | 36 pole chassis | S16 | 160A Isolating switch | X X15 Orange |
| | 4800 | 48 pole chassis | S25 | 250A Isolating switch | |
| | 6000 | 60 pole chassis | M16 | 160A MCCB | |
| | 7200 | 72 pole chassis | M20 | 200A MCCB | |
| | 9600 | 96 pole chassis | | | |

01 apex PLUS - IP43 c/w additional 24 Pole DIN rail and 13 split chassis options



JPD3618NSSDW

| | | | | | |
|----------------------|-------------|------------------------|------------------------|-----------------------|----------------------------|
| | | 02 | 03 | 04 | |
| | JPD | #### | ### | D# | |
| | | CHASSIS OPTIONS | INCOMER OPTIONS | COLOUR OPTIONS | |
| FULL CHASSIS | 2400 | 24 pole chassis | NSS | No switch supplied | W Standard RAL 7035 |
| | 3600 | 36 pole chassis | S16 | 160A Isolating switch | X X15 Orange |
| | 4800 | 48 pole chassis | S25 | 250A Isolating switch | |
| | 6000 | 60 pole chassis | M16 | 160A MCCB | |
| | 7200 | 72 pole chassis | M20 | 200A MCCB | |
| | | 9600 | 96 pole chassis | | |
| SPLIT CHASSIS | 1812 | 36 pole 18T/12B | | | |
| | 2418 | 48 pole 24T/18B | | | |
| | 3012 | 48 pole 30T/12B | | | |
| | 3618 | 60 pole 36T/18B | | | |
| | 4212 | 60 pole 42T/12B | | | |
| | 3630 | 72 pole 36T/30B | | | |
| | 4224 | 72 pole 42T/24B | | | |
| | 4818 | 72 pole 48T/18B | | | |
| | 4842 | 96 pole 48T/42B | | | |
| | 6030 | 96 pole 60T/30B | | | |
| | 7218 | 96 pole 72T/18B | | | |

NOTE:
T = Top
B = Bottom

01 elite - IP66 c/w additional 24 Pole DIN rail, 13 split chassis options and Stainless Steel material option

02 03 04

| | | | |
|-----|------|-----|----|
| JPE | #### | ### | D# |
|-----|------|-----|----|

| | CHASSIS OPTIONS | | INCOMER OPTIONS | | COLOUR OPTIONS | |
|----------------------|-----------------|-------------------|-----------------|-----------------------|----------------|-------------------|
| FULL CHASSIS | 2400 | 24 pole chassis | NSS | No switch supplied | W | Standard RAL 7035 |
| | 3600 | 36 pole chassis | S16 | 160A Isolating switch | X | X15 Orange |
| | 4800 | 48 pole chassis | S25 | 250A Isolating switch | S | Stainless Steel |
| | 6000 | 60 pole chassis | M16 | 160A MCCB | | |
| | 7200 | 72 pole chassis | M20 | 200A MCCB | | |
| 9600 | 96 pole chassis | | | | | |
| SPLIT CHASSIS | 1812 | 36 pole 18T / 12B | | | | |
| | 2418 | 48 pole 24T / 18B | | | | |
| | 3012 | 48 pole 30T / 12B | | | | |
| | 3618 | 60 pole 36T / 18B | | | | |
| | 4212 | 60 pole 42T / 12B | | | | |
| | 3630 | 72 pole 36T / 30B | | | | |
| | 4224 | 72 pole 42T / 24B | | | | |
| | 4818 | 72 pole 48T / 18B | | | | |
| | 4842 | 96 pole 48T / 42B | | | | |
| | 6030 | 96 pole 60T / 30B | | | | |
| | 7218 | 96 pole 72T / 18B | | | | |

NOTE:
T = Top
B = Bottom



JPE4800S25DW

Panelboards

01 elite 400 - IP66 c/w 400A isolating switch, 4 hybrid chassis options and Stainless Steel material option

02 03 04

| | | | |
|-----|------|-----|----|
| JPE | #### | S40 | T# |
|-----|------|-----|----|

| | CHASSIS OPTIONS | | 400A isolating switch supplied as incomer | COLOUR/MATERIAL | |
|-----------------------|-----------------|---------------------------------|---|-----------------|-------------------|
| FULL CHASSIS | 3600 | 36 pole chassis | | W | Standard RAL 7035 |
| | 4800 | 48 pole chassis | | X | X15 Orange |
| | 6000 | 60 pole chassis | | S | Stainless Steel |
| | 7200 | 72 pole chassis | | | |
| | 9600 | 96 pole chassis | | | |
| HYBRID CHASSIS | 0612 | 6 x 1.5 mod + 12 x 1 mod poles | | | |
| | 0624 | 6 x 1.5 mod + 24 x 1 mod poles | | | |
| | 0636 | 6 x 1.5 mod + 36 x 1 mod poles | | | |
| | 1248 | 12 x 1.5 mod + 48 x 1 mod poles | | | |



JPE0612S40TW

NOTE: To provide sufficient room for cabling, the 2 x 6 mod DIN rails and 24 pole DIN rail usually supplied within the elite range of enclosures are not supplied in the elite 400.

Features

- Available in 24 to 96 poles
- 1.6mm tough powdercoated galvanised steel construction
- Galvanised steel gland plates as standard
- Split Neutral & Earth Links with bridged neutrals
- Type tested chassis
- Choice of incomer switches or MCCB device
- 2 x 6 pole DIN
- IP43 rated
- Fault current rated at 20kA for 0.2 sec
- Field reversible door and hinged escutcheon
- X15 orange option
- Flush handle with key lock
- Positive MCB alignment
- Safety pole fillers
- Circuit identification card

 Technical information: [Page 69](#)


JPA2400NSSTW

apex Panelboards with direct connection

| Description | Characteristics | Cat ref. |
|-------------------------------|-----------------|---------------------|
| - No switch supplied (NSS) | 24 pole | JPA2400NSSTW |
| - Chassis connection included | 36 pole | JPA3600NSSTW |
| - Standard colour (W) | 48 pole | JPA4800NSSTW |
| - Orange X15 option (X) | 60 pole | JPA6000NSSTW |
| | 72 pole | JPA7200NSSTW |
| | 96 pole | JPA9600NSSTW |



X15 orange option (X)

apex Panelboards with 160A isolating switch

| Description | Characteristics | Cat ref. |
|-------------------------------|-----------------|---------------------|
| - 160A isolating switch (S16) | 24 pole | JPA2400S16TW |
| Colour options: | 36 pole | JPA3600S16TW |
| - Standard colour option (W) | 48 pole | JPA4800S16TW |
| - Orange X15 option (X) | 60 pole | JPA6000S16TW |
| | 72 pole | JPA7200S16TW |
| | 96 pole | JPA9600S16TW |

apex Panelboards with 250A isolating switch

| Description | Characteristics | Cat ref. |
|-------------------------------|-----------------|---------------------|
| - 250A isolating switch (S25) | 24 pole | JPA2400S25TW |
| Colour options: | 36 pole | JPA3600S25TW |
| - Standard colour option (W) | 48 pole | JPA4800S25TW |
| - Orange X15 option (X) | 60 pole | JPA6000S25TW |
| | 72 pole | JPA7200S25TW |
| | 96 pole | JPA9600S25TW |

apex Panelboards with 160A MCCB

| Description | Characteristics | Cat ref. |
|--|-----------------|---------------------|
| - 160A MCCB - HNB160U - can be adjusted down to 100A (M16) | 24 pole | JPA2400M16TW |
| Colour options: | 36 pole | JPA3600M16TW |
| - Standard colour option (W) | 48 pole | JPA4800M16TW |
| - Orange X15 option (X) | 60 pole | JPA6000M16TW |
| | 72 pole | JPA7200M16TW |
| | 96 pole | JPA9600M16TW |

apex Panelboards with 200A MCCB

| Description | Characteristics | Cat ref. |
|--|-----------------|---------------------|
| - 200A MCCB - HNB200U - can be adjusted down to 151A (M20) | 24 pole | JPA2400M20TW |
| Colour options: | 36 pole | JPA3600M20TW |
| - Standard colour option (W) | 48 pole | JPA4800M20TW |
| - Orange X15 option (X) | 60 pole | JPA6000M20TW |
| | 72 pole | JPA7200M20TW |
| | 96 pole | JPA9600M20TW |

Features

- Available in 24 to 96 poles
- Removable 24 pole DIN section
- 1.6mm tough powdercoated galvanised steel construction
- Galvanised steel gland plates as standard
- Split Neutral & Earth Links with bridged neutrals
- Type tested chassis
- Choice of incomer switches or MCCB device
- 2 x 6 pole DIN
- IP43 rated
- Fault current rated at 20kA for 0.2 sec
- Field reversible door and hinged escutcheon
- X15 orange option
- Flush handle with key lock
- Positive MCB alignment
- Safety pole fillers
- Circuit identification card

Technical information: [Page 70](#)

apex PLUS Panelboards with direct connection

| Description | Characteristics | Cat ref. |
|---|-----------------|---------------------|
| - No switch supplied (NSS) | 24 pole | JPD2400NSSDW |
| - Chassis connection included | 36 pole | JPD3600NSSDW |
| - apex PLUS features additional 24 pole DIN section | 48 pole | JPD4800NSSDW |
| Colour options: | 60 pole | JPD6000NSSDW |
| - Standard colour (W) | 72 pole | JPD7200NSSDW |
| - Orange X15 option (X) | 96 pole | JPD9600NSSDW |



JPD6000NSSDW

apex PLUS Panelboards with 160A isolating switch

| Description | Characteristics | Cat ref. |
|---|-----------------|---------------------|
| - 160A isolating switch (S16) | 24 pole | JPD2400S16DW |
| - apex PLUS features additional 24 pole DIN section | 36 pole | JPD3600S16DW |
| Colour options: | 48 pole | JPD4800S16DW |
| - Standard colour option (W) | 60 pole | JPD6000S16DW |
| - Orange X15 option (X) | 72 pole | JPD7200S16DW |
| | 96 pole | JPD9600S16DW |

apex PLUS Panelboards with 250A isolating switch

| Description | Characteristics | Cat ref. |
|---|-----------------|---------------------|
| - 250A isolating switch (S25) | 24 pole | JPD2400S25DW |
| - apex PLUS features additional 24 pole DIN section | 36 pole | JPD3600S25DW |
| Colour options: | 48 pole | JPD4800S25DW |
| - Standard colour option (W) | 60 pole | JPD6000S25DW |
| - Orange X15 option (X) | 72 pole | JPD7200S25DW |
| | 96 pole | JPD9600S25DW |

apex PLUS Panelboards with 160A MCCB

| Description | Characteristics | Cat ref. |
|--|-----------------|---------------------|
| - 160A MCCB - HNB160U - can be adjusted down to 100A (M16) | 24 pole | JPD2400M16DW |
| - apex PLUS features additional 24 pole DIN section | 36 pole | JPD3600M16DW |
| Colour options: | 48 pole | JPD4800M16DW |
| - Standard colour option (W) | 60 pole | JPD6000M16DW |
| - Orange X15 option (X) | 72 pole | JPD7200M16DW |
| | 96 pole | JPD9600M16DW |

apex PLUS Panelboards with 200A MCCB

| Description | Characteristics | Cat ref. |
|--|-----------------|---------------------|
| - 200A MCCB - HNB200U - can be adjusted down to 151A (M20) | 24 pole | JPD2400M20DW |
| - apex PLUS features additional 24 pole DIN section | 36 pole | JPD3600M20DW |
| Colour options: | 48 pole | JPD4800M20DW |
| - Standard colour option (W) | 60 pole | JPD6000M20DW |
| - Orange X15 option (X) | 72 pole | JPD7200M20DW |
| | 96 pole | JPD9600M20DW |

Features

- Available in 24 to 96 poles
- Removable 24 pole DIN section
- 11 different split chassis options
- 1.6mm tough powdercoated galvanised steel construction
- Galvanised steel gland plates as standard
- Split Neutral & Earth Links with bridged neutrals
- Type tested chassis
- Choice of incomer switches or MCCB device
- 2 x 6 pole DIN
- IP43 rated
- Fault current rated at 20kA for 0.2 sec
- Field reversible door and hinged escutcheon
- X15 orange option
- Flush handle with key lock
- Positive MCB alignment
- Safety pole fillers
- Circuit identification card

Technical information: [Page 70](#)



JPD3618NSSDW



X15 orange option (X)

apex PLUS Panelboards with Split Chassis and Direct Connection

| Description | Characteristics | Cat ref. |
|-------------------------------|--------------------------|---------------------|
| - No switch supplied (NSS) | 36 pole 18 top / 12 bttm | JPD1812NSSDW |
| - Chassis connection included | 48 pole 24 top / 18 bttm | JPD2418NSSDW |
| - Less 6 poles for split | 48 pole 30 top / 12 bttm | JPD3012NSSDW |
| Colour options: | | |
| - Standard colour (W) | 60 pole 36 top / 18 bttm | JPD3618NSSDW |
| - Orange X15 option (X) | 72 pole 36 top / 30 bttm | JPD3630NSSDW |
| | 60 pole 42 top / 12 bttm | JPD4212NSSDW |
| | 72 pole 42 top / 24 bttm | JPD4224NSSDW |
| | 72 pole 48 top / 18 bttm | JPD4818NSSDW |
| | 96 pole 48 top / 42 bttm | JPD4842NSSDW |
| | 96 pole 60 top / 30 bttm | JPD6030NSSDW |
| | 96 pole 72 top / 18 bttm | JPD7218NSSDW |

apex PLUS Panelboards with Split Chassis and 160A Isolating Switch

| Description | Characteristics | Cat ref. |
|-------------------------------|--------------------------|---------------------|
| - 160A isolating switch (S16) | 36 pole 18 top / 12 bttm | JPD1812S16DW |
| - Less 6 poles for split | 48 pole 24 top / 18 bttm | JPD2418S16DW |
| Colour options: | | |
| - Standard colour (W) | 48 pole 30 top / 12 bttm | JPD3012S16DW |
| - Orange X15 option (X) | 60 pole 36 top / 18 bttm | JPD3618S16DW |
| | 72 pole 36 top / 30 bttm | JPD3630S16DW |
| | 60 pole 42 top / 12 bttm | JPD4212S16DW |
| | 72 pole 42 top / 24 bttm | JPD4224S16DW |
| | 72 pole 48 top / 18 bttm | JPD4818S16DW |
| | 96 pole 48 top / 42 bttm | JPD4842S16DW |
| | 96 pole 60 top / 30 bttm | JPD6030S16DW |
| | 96 pole 72 top / 18 bttm | JPD7218S16DW |

apex PLUS Panelboards with Split Chassis and 250A Isolating Switch

| Description | Characteristics | Cat ref. |
|-------------------------------|--------------------------|---------------------|
| - 250A isolating switch (S25) | 36 pole 18 top / 12 bttm | JPD1812S25DW |
| - Less 6 poles for split | 48 pole 24 top / 18 bttm | JPD2418S25DW |
| Colour options: | | |
| - Standard colour (W) | 48 pole 30 top / 12 bttm | JPD3012S25DW |
| - Orange X15 option (X) | 60 pole 36 top / 18 bttm | JPD3618S25DW |
| | 72 pole 36 top / 30 bttm | JPD3630S25DW |
| | 60 pole 42 top / 12 bttm | JPD4212S25DW |
| | 72 pole 42 top / 24 bttm | JPD4224S25DW |
| | 72 pole 48 top / 18 bttm | JPD4818S25DW |
| | 96 pole 48 top / 42 bttm | JPD4842S25DW |
| | 96 pole 60 top / 30 bttm | JPD6030S25DW |
| | 96 pole 72 top / 18 bttm | JPD7218S25DW |

Features

- Available in 24 to 96 poles
- Removable 24 pole DIN section
- 11 different split chassis options
- 1.6mm tough powdercoated galvanised steel construction
- Galvanised steel gland plates as standard
- Split Neutral & Earth Links with bridged neutrals
- Type tested chassis
- Choice of incomer switches or MCCB device
- 2 x 6 pole DIN
- IP43 rated
- Fault current rated at 20kA for 0.2 sec
- Field reversible door and hinged escutcheon
- X15 orange option
- Flush handle with key lock
- Positive MCB alignment
- Safety pole fillers
- Circuit identification card

Technical information: [Page 70](#)

apex PLUS Panelboards with Split Chassis and 160A MCCB

| Description | Characteristics | Cat ref. |
|--|--------------------------|---------------------|
| - 160A MCCB - HNB160U - can be adjusted down to 100A (M16) | 36 pole 18 top / 12 bttm | JPD1812M16DW |
| - Less 6 poles for split | 48 pole 24 top / 18 bttm | JPD2418M16DW |
| Colour options: | 48 pole 30 top / 12 bttm | JPD3012M16DW |
| - Standard colour (W) | 60 pole 36 top / 18 bttm | JPD3618M16DW |
| - Orange X15 option (X) | 72 pole 36 top / 30 bttm | JPD3630M16DW |
| | 60 pole 42 top / 12 bttm | JPD4212M16DW |
| | 72 pole 42 top / 24 bttm | JPD4224M16DW |
| | 72 pole 48 top / 18 bttm | JPD4818M16DW |
| | 96 pole 48 top / 42 bttm | JPD4842M16DW |
| | 96 pole 60 top / 30 bttm | JPD6030M16DW |
| | 96 pole 72 top / 18 bttm | JPD7218M16DW |



JPD3618NDW

apex PLUS Panelboards with Split Chassis and 200A MCCB

| Description | Characteristics | Cat ref. |
|--|--------------------------|---------------------|
| - 200A MCCB - HNB200U - can be adjusted down to 151A (M20) | 36 pole 18 top / 12 bttm | JPD1812M20DW |
| - Less 6 poles for split | 48 pole 24 top / 18 bttm | JPD2418M20DW |
| Colour options: | 48 pole 30 top / 12 bttm | JPD3012M20DW |
| - Standard colour option (W) | 60 pole 36 top / 18 bttm | JPD3618M20DW |
| - Orange X15 option (X) | 72 pole 36 top / 30 bttm | JPD3630M20DW |
| | 60 pole 42 top / 12 bttm | JPD4212M20DW |
| | 72 pole 42 top / 24 bttm | JPD4224M20DW |
| | 72 pole 48 top / 18 bttm | JPD4818M20DW |
| | 96 pole 48 top / 42 bttm | JPD4842M20DW |
| | 96 pole 60 top / 30 bttm | JPD6030M20DW |
| | 96 pole 72 top / 18 bttm | JPD7218M20DW |



JPA0EXT0W

Extension Box

Supplied blank with mounting pan or with 48 pole DIN rail, w/out gland plates top and bottom. Gland plates only required if mounting as a stand alone. CL001 keylock supplied.

| Description | Characteristics | Cat. ref - Without DIN rail | Cat. ref - With DIN rail |
|--------------------|------------------------|-----------------------------|--------------------------|
| apex series | Standard RAL7035, Grey | JPA0EXT0W | JPA0EXTDW |
| 400H x 600W x 200D | X15 Orange door | JPA0EXTOX | JPA0EXTDX |



JPD2418C

Chassis only

| Description | Characteristics | Cat ref. |
|-------------------------|---------------------|-----------------|
| Chassis only - standard | 24 pole chassis | JPD2400C |
| | 36 pole chassis | JPD3600C |
| | 48 pole chassis | JPD4800C |
| | 60 pole chassis | JPD6000C |
| | 72 pole chassis | JPD7200C |
| | 96 pole chassis | JPD9600C |
| Chassis only - split | 18/12 split chassis | JPD1812C |
| | 24/18 split chassis | JPD2418C |
| | 30/12 split chassis | JPD3012C |
| | 36/18 split chassis | JPD3618C |
| | 36/30 split chassis | JPD3630C |
| | 42/12 split chassis | JPD4212C |
| | 42/24 split chassis | JPD4224C |
| | 48/18 split chassis | JPD4818C |
| | 48/42 split chassis | JPD4842C |
| | 60/30 split chassis | JPD6030C |
| | 72/18 split chassis | JPD7218C |



JPA0S25K

Incomer Kits - Main and Secondary

| Description | Characteristics | Cat ref. - Main | Cat ref. - Secondary |
|---|-----------------------|-----------------|----------------------|
| Incomer kits to fit in 250A panelboards | 160A isolating switch | JPA0S16K | JPA0S160 |
| | 250A isolating switch | JPA0S25K | JPA0S250 |
| | 160A MCCB | JPA0M16K | JPA0M160 |
| | 200A MCCB | JPA0M20K | JPA0M200 |
| Chassis connection kit top/bottom | Shroud & spreaders | JPA0D25K | JPA0D250 |



FL85Z



JPA0SMSEAL1

Other Accessories

| Description | Characteristics | Cat ref. |
|---------------------------------|--|---------------------|
| Aluminium Gland Plates (pair) | for apex | JPAGPALU |
| Aluminium Gland Plates (pair) | for apex - Orange x15 | JPAGPALUX |
| Handle with keylock 92268 | for apex | JPA0LCK9 |
| Spare Key | CL001 | JVC0LSK |
| Safety pole fillers | 1 mod - 10 pack (JK01B) | JVC0PFL |
| Pole fillers | 10 pack | JP012 |
| Smoke seal | For apex and apex plus 800H or 1000H | JPASMSEAL1 |
| | For apex and apex plus 1200H, 1400H or 1600H | JPASMSEAL2 |
| Wall mounting bracket kit | 4 pieces | FL85Z |
| Document holder | Adhesive backed | JK2X007AU |
| Keylock - 1/4 turn 92268 | for extension box | JPA0LXT9 |
| N & E link kit | for extension box | JPA0EXTNE |
| Mounting pan | for extension box | JPA0EXTMP |
| Joining Kits (suits apex range) | 400x200mm | ★ JPA400SBS |
| | 800x200mm | ★ JPA800SBS |
| | 1000x200mm | ★ JPA1000SBS |
| | 1200x200mm | ★ JPA1200SBS |
| | 1400x200mm | ★ JPA1400SBS |
| | 1600x200mm | ★ JPA1600SBS |

Features

- Available in 24 to 96 poles
- Removable 24 pole DIN section at bottom
- Fully welded 1.2mm 316 stainless steel or 1.6mm powdercoated galvanised steel construction
- Increased depth to 250mm
- Removable gland plates as standard
- Split chassis option
- Split neutral & earth links with bridged neutrals
- Choice of incomer switches or MCCB device
- 2 x 6 pole DIN
- IP66 rated
- Fault current rated at 20kA for 0.2 sec
- X15 orange option
- Field reversible door and hinged escutcheon
- Swing handle with key lock
- Positive MCB alignment
- Safety pole fillers
- Circuit identification card
- CL001 key lock as standard

Technical information: [Page 72](#)

elite IP66 Panelboards with Direct Connection

| Description | Characteristics | Cat ref. |
|-----------------------------------|-----------------|---------------------|
| - No switch supplied (NSS) | 24 pole | JPE2400NSSDW |
| - Chassis connection included | 36 pole | JPE3600NSSDW |
| Colour options: | 48 pole | JPE4800NSSDW |
| - Standard colour (W) | 60 pole | JPE6000NSSDW |
| - Orange X15 option (X) | 72 pole | JPE7200NSSDW |
| - Stainless Steel - 316 grade (S) | 96 pole | JPE9600NSSDW |



JPE4800S25DW

elite IP66 Panelboards with 160A Isolating Switch

| Description | Characteristics | Cat ref. |
|-----------------------------------|-----------------|---------------------|
| - 160A isolating switch (S16) | 24 pole | JPE2400S16DW |
| Colour options: | 36 pole | JPE3600S16DW |
| - Standard colour (W) | 48 pole | JPE4800S16DW |
| - Orange X15 option (X) | 60 pole | JPE6000S16DW |
| - Stainless Steel - 316 grade (S) | 72 pole | JPE7200S16DW |
| | 96 pole | JPE9600S16DW |



X15 orange option (X)

elite IP66 Panelboards with 250A Isolating Switch

| Description | Characteristics | Cat ref. |
|-----------------------------------|-----------------|---------------------|
| - 250A isolating switch (S25) | 24 pole | JPE2400S25DW |
| Colour options: | 36 pole | JPE3600S25DW |
| - Standard colour (W) | 48 pole | JPE4800S25DW |
| - Orange X15 option (X) | 60 pole | JPE6000S25DW |
| - Stainless Steel - 316 grade (S) | 72 pole | JPE7200S25DW |
| | 96 pole | JPE9600S25DW |

elite IP66 Panelboards with 160A MCCB

| Description | Characteristics | Cat ref. |
|--|-----------------|---------------------|
| - 160A MCCB - HNB160U - can be adjusted down to 100A (M16) | 24 pole | JPE2400M16DW |
| Colour options: | 36 pole | JPE3600M16DW |
| - Standard colour (W) | 48 pole | JPE4800M16DW |
| - Orange X15 option (X) | 60 pole | JPE6000M16DW |
| - Stainless Steel - 316 grade (S) | 72 pole | JPE7200M16DW |
| | 96 pole | JPE9600M16DW |

elite IP66 Panelboards with 200A MCCB

| Description | Characteristics | Cat ref. |
|--|-----------------|---------------------|
| - 200A MCCB - HNB200U - can be adjusted down to 151A (M20) | 24 pole | JPE2400M20DW |
| Colour options: | 36 pole | JPE3600M20DW |
| - Standard colour option (W) | 48 pole | JPE4800M20DW |
| - Orange X15 option (X) | 60 pole | JPE6000M20DW |
| - Stainless Steel - 316 grade (S) | 72 pole | JPE7200M20DW |
| | 96 pole | JPE9600M20DW |

Features

- Available in 24 to 96 poles
- Removable 24 pole DIN section at bottom
- Fully welded 1.2mm 316 stainless steel or 1.6mm powdercoated galvanised steel construction
- Increased depth to 250mm
- Removable gland plates as standard
- Split chassis option
- Split neutral & earth links with bridged neutrals
- Choice of incomer switches or MCCB device
- 2 x 6 pole DIN
- IP66 rated
- Fault current rated at 20kA for 0.2 sec
- X15 orange option
- Field reversible door and hinged escutcheon
- Swing handle with key lock
- Positive MCB alignment
- Safety pole fillers
- Circuit identification card
- CL001 key lock as standard

Technical information: [Page 72](#)



JPE3012S25DW



X15 orange option (X)

elite IP66 Panelboards with Split Chassis and Direct Connection

| Description | Characteristics | Cat ref. |
|-------------------------------|---------------------------|---------------------|
| - No switch supplied (NSS) | 36 pole - 18 top / 12 btm | JPE1812NSSDW |
| - Chassis connection included | 48 pole - 24 top / 18 btm | JPE2418NSSDW |
| Colour options: | 48 pole - 30 top / 12 btm | JPE3012NSSDW |
| - Standard colour (W) | 60 pole - 36 top / 18 btm | JPE3618NSSDW |
| - Orange X15 option (X) | 60 pole - 42 top / 12 btm | JPE4212NSSDW |
| - Less 6 poles for split | 72 pole - 36 top / 30 btm | JPE3630NSSDW |
| | 72 pole - 42 top / 24 btm | JPE4224NSSDW |
| | 72 pole - 48 top / 18 btm | JPE4818NSSDW |
| | 96 pole - 48 top / 42 btm | JPE4842NSSDW |
| | 96 pole - 60 top / 30 btm | JPE6030NSSDW |
| | 96 pole - 72 top / 18 btm | JPE7218NSSDW |

elite IP66 Panelboards with Split Chassis and 160A Isolating Switch

| Description | Characteristics | Cat ref. |
|-------------------------------|---------------------------|---------------------|
| - 160A isolating switch (S16) | 36 pole - 18 top / 12 btm | JPE1812S16DW |
| Colour options: | 48 pole - 24 top / 18 btm | JPE2418S16DW |
| - Standard colour (W) | 48 pole - 30 top / 12 btm | JPE3012S16DW |
| - Orange X15 option (X) | 60 pole - 36 top / 18 btm | JPE3618S16DW |
| - Less 6 poles for split | 60 pole - 42 top / 12 btm | JPE4212S16DW |
| | 72 pole - 36 top / 30 btm | JPE3630S16DW |
| | 72 pole - 42 top / 24 btm | JPE4224S16DW |
| | 72 pole - 48 top / 18 btm | JPE4818S16DW |
| | 96 pole - 48 top / 42 btm | JPE4842S16DW |
| | 96 pole - 60 top / 30 btm | JPE6030S16DW |
| | 96 pole - 72 top / 18 btm | JPE7218S16DW |

elite IP66 Panelboards with Split Chassis and 250A Isolating Switch

| Description | Characteristics | Cat ref. |
|-------------------------------|---------------------------|---------------------|
| - 250A isolating switch (S25) | 36 pole - 18 top / 12 btm | JPE1812S25DW |
| Colour options: | 48 pole - 24 top / 18 btm | JPE2418S25DW |
| - Standard colour (W) | 48 pole - 30 top / 12 btm | JPE3012S25DW |
| - Orange X15 option (X) | 60 pole - 36 top / 18 btm | JPE3618S25DW |
| - Less 6 poles for split | 60 pole - 42 top / 12 btm | JPE4212S25DW |
| | 72 pole - 36 top / 30 btm | JPE3630S25DW |
| | 72 pole - 42 top / 24 btm | JPE4224S25DW |
| | 72 pole - 48 top / 18 btm | JPE4818S25DW |
| | 96 pole - 48 top / 42 btm | JPE4842S25DW |
| | 96 pole - 60 top / 30 btm | JPE6030S25DW |
| | 96 pole - 72 top / 18 btm | JPE7218S25DW |

Features

- Available in 24 to 96 poles
- Removable 24 pole DIN section at bottom
- Fully welded 1.2mm 316 stainless steel or 1.6mm powdercoated galvanised steel construction
- Increased depth to 250mm
- Removable gland plates as standard
- Split chassis option
- Split neutral & earth links with bridged neutrals
- Choice of incomer switches or MCCB device
- 2 x 6 pole DIN
- IP66 rated
- Fault current rated at 20kA for 0.2 sec
- X15 orange option
- Field reversible door and hinged escutcheon
- Swing handle with key lock
- Positive MCB alignment
- Safety pole fillers
- Circuit identification card
- CL001 key lock as standard

Technical information: [Page 72](#)

elite Panelboards with Split Chassis and 160A MCCB

| Description | Characteristics | Cat. ref. |
|---|---------------------------|---------------------|
| - 160A MCCB - HNB160U - can be adjusted down to 100A (M16) | 36 pole - 18 top / 12 btm | JPE1812M16DW |
| | 48 pole - 24 top / 18 btm | JPE2418M16DW |
| Colour options: - Standard colour (W) - Orange X15 option (X) - Less 6 poles for split | 48 pole - 30 top / 12 btm | JPE3012M16DW |
| | 60 pole - 36 top / 18 btm | JPE3618M16DW |
| | 60 pole - 42 top / 12 btm | JPE4212M16DW |
| | 72 pole - 36 top / 30 btm | JPE3630M16DW |
| | 72 pole - 42 top / 24 btm | JPE4224M16DW |
| | 72 pole - 48 top / 18 btm | JPE4818M16DW |
| | 96 pole - 48 top / 42 btm | JPE4842M16DW |
| | 96 pole - 60 top / 30 btm | JPE6030M16DW |
| | 96 pole - 72 top / 18 btm | JPE7218M16DW |



JPE3012M16DW



Split chassis option

elite Panelboards with Split Chassis and 200A MCCB

| Description | Characteristics | Cat. ref. |
|---|---------------------------|---------------------|
| - 200A MCCB - HNB200U - can be adjusted down to 151A (M20) | 36 pole - 18 top / 12 btm | JPE1812M20DW |
| | 48 pole - 24 top / 18 btm | JPE2418M20DW |
| Colour options: - Standard colour (W) - Orange X15 option (X) - Less 6 poles for split | 48 pole - 30 top / 12 btm | JPE3012M20DW |
| | 60 pole - 36 top / 18 btm | JPE3618M20DW |
| | 60 pole - 42 top / 12 btm | JPE4212M20DW |
| | 72 pole - 36 top / 30 btm | JPE3630M20DW |
| | 72 pole - 42 top / 24 btm | JPE4224M20DW |
| | 72 pole - 48 top / 18 btm | JPE4818M20DW |
| | 96 pole - 48 top / 42 btm | JPE4842M20DW |
| | 96 pole - 60 top / 30 btm | JPE6030M20DW |
| | 96 pole - 72 top / 18 btm | JPE7218M20DW |



JPA0EXT0W

Extension Box

Supplied blank with mounting pan or with 48 pole DIN rail, w/out gland plates top and bottom. Gland plates only required if mounting as a stand alone. CL001 keylock supplied.

| Description | Characteristics | Cat. ref - Without DIN rail | Cat. ref - With DIN rail |
|--------------------|-----------------------------|--------------------------------|-----------------------------|
| elite series | Standard RAL7035 | JPE0EXT0W | JPE0EXTDW |
| 400H x 600W x 250D | X15 Orange | JPE0EXT0X | JPE0EXTDX |
| | Stainless Steel (316 grade) | JPE0EXT0L | JPE0EXTDL |



JPD2418C

Chassis only

| Description | Characteristics | Cat. ref. |
|-------------------------|---------------------|-----------------|
| Chassis only - standard | 24 pole chassis | JPD2400C |
| | 36 pole chassis | JPD3600C |
| | 48 pole chassis | JPD4800C |
| | 60 pole chassis | JPD6000C |
| | 72 pole chassis | JPD7200C |
| | 96 pole chassis | JPD9600C |
| Chassis only - split | 18/12 split chassis | JPD1812C |
| | 24/18 split chassis | JPD2418C |
| | 30/12 split chassis | JPD3012C |
| | 36/18 split chassis | JPD3618C |
| | 36/30 split chassis | JPD3630C |
| | 42/12 split chassis | JPD4212C |
| | 42/24 split chassis | JPD4224C |
| | 48/18 split chassis | JPD4818C |
| | 48/42 split chassis | JPD4842C |
| | 60/30 split chassis | JPD6030C |
| | 72/18 split chassis | JPD7218C |



JPA0S25K

Incomer Kits (Main and Secondary)

| Description | Characteristics | Cat. ref. - Main | Cat. ref. - Secondary |
|---|-----------------------|------------------|-----------------------|
| Incomer kits to fit in 250A panelboards | 160A isolating switch | JPA0S16K | JPA0S160 |
| | 250A isolating switch | JPA0S25K | JPA0S250 |
| | 160A MCCB | JPA0M16K | JPA0M160 |
| | 200A MCCB | JPA0M20K | JPA0M200 |
| Chassis connection kit top/bottom | Shroud & spreaders | JPA0D25K | JPA0D250 |



FL72Z



FL85Z

Other Accessories

| Description | Characteristics | Cat. ref. |
|---|-------------------------|--------------------|
| Aluminium Gland Plates (pair) | for elite | JPEGPALU |
| Aluminium Gland Plates (pair) | for elite - orange | JPEGPALUX |
| Safety pole fillers | 1 mod - 10 pack (JK01B) | JVC0PFL |
| | 1.5 mod - 3 pack | JPE015PFL |
| Pole fillers | 10 pack | JP012 |
| Cylinder inserts for elite swing handle | Key EK333 | FL98Z |
| | CL001 & key | FL72Z |
| | 92268 & key | FL73Z |
| | E-lock | FL741 |
| | E-lock key | FL75Z1 |
| Spare Key | Blank with ball bearing | FL78Z3AU |
| Padlockable swinghandle for elite | CL001 | JVC0LSK |
| Padlockable swinghandle for E-Lock | | FL78Z1AU |
| Wall mounting bracket kit | 4 pieces | FZ630AU1 |
| Document holder | Adhesive backed | FL85Z |
| Keylock - 1/4 turn 92268 | | JK2X007AU |
| N & E link kit | for extension box | JPA0LXT9 |
| Mounting pan | for extension box | JPA0EXTNE |
| JPE Plinth | Galvanised plinth | JPA0EXTMP |
| | | ★ JPEPLINTH |

elite 400 features

- Fully welded 1.2mm 316 stainless steel or 1.6mm powdercoated galvanised steel construction
- Increased depth to 250mm
- Removable gland plates as standard
- 400A isolating switch supplied as incomer
- IP66 rated
- Fault current rated at 20kA for 0.2 sec
- X15 orange option
- Safety pole fillers

- Field reversible door and hinged escutcheon
- Swing handle with key lock
- Positive MCB alignment
- Circuit identification card
- CL001 key lock as standard

Standard chassis only features

- Available in 36 to 96 poles
- Split neutral & earth links with bridged neutrals

Hybrid chassis only features

- Utilises a hybrid chassis that combines a 1.5mod pole chassis with a 1mod pole chassis, giving it the ability to fit the HMFxxxT 80-125A, 10kA, 4.5mod MCBs, as well as the standard 10kA, 1-4mod device range.
- Available in 18, 30, 42 and 60 poles
 - Neutral & earth links with increased capacity for M8 lugs and two screw tunnel connections

Technical information: [Page 74](#)

elite 400 Full Chassis

| Description | Characteristics | Current (In a) | Cat. ref. |
|--|-----------------|----------------|---------------------|
| - 400A isolating switch supplied fitted (240mm cable size - M10 cable lug) | 36 pole | 325A | JPE3600S40TW |
| | 48 pole | 375A | JPE4800S40TW |
| - Standard colour (W) | 60 pole | 375A | JPE6000S40TW |
| - Orange X15 option (X) | 72 pole | 375A | JPE7200S40TW |
| - Stainless steel 316 grade (S) | 96 pole | 375A | JPE9600S40TW |



JPE4800S40TW

elite 400 with Hybrid Chassis

| Description | Characteristics | Current (In a) | Cat. ref. |
|--|-----------------------------|----------------|---------------------|
| - 400A isolating switch supplied fitted (240mm cable size - M10 cable lug) | 18P - 6x 1.5mod / 12x 1mod | 320A | JPE0612S40TW |
| | 30P - 6x 1.5mod / 24x 1mod | 400A | JPE0624S40TW |
| - Standard colour (W) | 42P - 6x 1.5mod / 36x 1mod | 400A | JPE0636S40TW |
| - Orange X15 option (X) | 60P - 12x 1.5mod / 48x 1mod | 400A | JPE1248S40TW |
| - Stainless steel 316 grade (S) | | | |



JPE0612S40TW



Stainless steel option (S)



JPE0EXT0W

Extension Box

Supplied blank with mounting pan or with 48 pole DIN rail, w/out gland plates top and bottom.
Gland plates only required if mounting as a stand alone. CL001 keylock supplied.

| Description | Characteristics | Cat. ref - | |
|--------------------|-----------------------------|------------------|------------------|
| | | Without DIN rail | With DIN rail |
| elite series | Standard RAL7035 | JPE0EXT0W | JPE0EXTDW |
| 400H x 600W x 250D | X15 Orange | JPE0EXT0X | JPE0EXTDX |
| | Stainless Steel (316 grade) | JPE0EXT0L | JPE0EXTDL |



JK4P208C1

Chassis only

| Description | Characteristics | Current (In a) | Cat ref. |
|-------------------------|-----------------------------|----------------|------------------|
| Chassis only - standard | 36 pole chassis | 325A | JK4P12C1 |
| | 48 pole chassis | 375A | JK4P16C1 |
| | 60 pole chassis | 375A | JK4P20C1 |
| | 72 pole chassis | 375A | JK4P24C1 |
| | 96 pole chassis | 375A | JK4P32C1 |
| Chassis only - hybrid | 18P - 6x 1.5mod / 12x 1mod | 320A | JK4P204C1 |
| | 30P - 6x 1.5mod / 24x 1mod | 400A | JK4P208C1 |
| | 42P - 6x 1.5mod / 36x 1mod | 400A | JK4P212C1 |
| | 60P - 12x 1.5mod / 48x 1mod | 400A | JK4P416C1 |



JPA0S25K

Incomer Kit (Main)

| Description | Characteristics | Cat ref. - Main |
|------------------|-----------------|-----------------|
| Main incomer kit | 400A | JPA0S40K |



FL72Z



FL85Z

Other Accessories

| Description | Characteristics | Cat ref. |
|--|-------------------------|------------------|
| Aluminium Gland Plates (pair) | for elite | JPEGPALU |
| Aluminium Gland Plates (pair) | for elite - orange | JPEGPALUX |
| Safety pole fillers | 1 mod - 10 pack (JK01B) | JVC0PFL |
| | 1.5 mod - 3 pack | JPE015PFL |
| Pole fillers | 10 pack | JP012 |
| Cylinder inserts for elite swinghandle | Key EK333 | FL98Z |
| | CL001 & key | FL72Z |
| | 92268 & key | FL73Z |
| | E-Lock | FL74Z1 |
| | E-Lock key | FL75Z1 |
| Spare Key | Blank with ball bearing | FL78Z3AU |
| | CL001 | JVC0LSK |
| Padlockable swinghandle for elite | | FL78Z1AU |
| Padlockable swinghandle for E-lock | | FZ630AU1 |
| Wall mounting bracket kit | 4 pieces | FL85Z |
| Document holder | Adhesive backed | JK2X007AU |
| Keylock - 1/4 turn 92268 | for extension box | JPA0LXT9 |
| N & E link kit | for extension box | JPA0EXTNE |
| Mounting pan | for extension box | JPA0EXTMP |

ATS / MTS features

- 63A - 400A 4 pole models
- Earth bar included
- Generous cable installation space
- Back plate mounted for easy access
- Non perforated top and bottom entry incoming and outgoing cable glands - Installer to perforate bottom gland plate as required depending on cable requirements
- Reversal door and key lock

IP rating

- IP65 for indoors (mild steel)

Finish

- Powdercoated RAL 7035

Material

- 1.2mm mild steel enclosure
- 1.5mm mild steel door

Standards

- Complies to AS/NZS 61439.2

Technical information: [Page 77](#)

ATS Enclosed Solutions

| Description | ATS Type | Rating | Poles | Dimensions (mm) | Cat ref. |
|---|----------|--------|-------|--------------------|-----------------------------|
| Mild steel enclosure with mounting plate and Earth bar | HIC406A | 63A | 4 | 500w x 650h x 250d | ★ FL063ATSA |
| | HIC410A | 100A | 4 | 500w x 650h x 250d | ★ FL100ATSA |
| ATS enclosed solutions include: - EAN bar - 2x terminal Shrouds - Bridging Bar - Voltage tapping and power supply kit | HIC416A | 160A | 4 | 500w x 650h x 250d | ★ FL160ATSA |
| | HIC425G | 250A | 4 | 600w x 800h x 400d | ★ FL250ATSA |
| | HIC440G | 400A | 4 | 600w x 800h x 400d | ★ FL400ATSA |



FL160ATSA

MTS Enclosed Solutions

| Description | ATS Type | Rating | Poles | Dimensions (mm) | Cat ref. |
|---|----------|--------|-------|--------------------|----------------------------|
| Mild steel enclosure with mounting plate and Earth bar | HI452 | 160A | 4 | 500w x 650h x 250d | ★ FL160MTS |
| | HI454 | 250A | 4 | 500w x 650h x 250d | ★ FL250MTS |
| MTS enclosed solutions include: - EAN bar - 2x terminal Shrouds - Bridging Bar | HI454 | 400A | 4 | 500w x 650h x 250d | ★ FL400MTS |



FL160MTS

MCCB features

- 50A - 630A 3 pole models
- Earth and Neutral bar included
- Generous cable installation space
- Back plate mounted for easy access.
- Non perforated top and bottom entry incoming and outgoing cable glands - Installer to perforate bottom gland plate as required depending on cable requirements.
- Reversal door and key lock

IP rating

- IP65 for indoors (mild steel)

Finish

- Powdercoated RAL 7035

Material

- 1.2mm mild steel enclosure
- 1.5mm mild steel door

Standards

- Complies to AS/NZS 61439.2

Technical information: [Page 78](#)



FL630CBA

MCCB enclosed solutions

| Description | MCCB Type | Rating | Poles | Dimensions (mm) | Cat ref. |
|---|-----------|--------------|-------|--------------------|----------------------------|
| Mild steel enclosure with mounting plate, Neutral bar and Earth bar | HNC125H | 50A to 125A | 3 | 400w x 650h x 250d | ★ FL125CBA |
| | HNC250H | 100A to 250A | 3 | 400w x 650h x 250d | ★ FL250CBA |
| | HND400H | 160A to 400A | 3 | 600w x 800h x 300d | ★ FL400CBA |
| MCCB enclosed solutions include: | HND630H | 250A to 630A | 3 | 600w x 800h x 300d | ★ FL630CBA |

- EAN bar
- 2x terminal shrouds
- External rotary handle

Description

Used in the riser duct of multi-storey buildings or as a ring main in shopping centres.

Material

- 1.5mm galvanised steel

Finish

- RAL 7035 light grey

Note

- Insulated cable entry plates
- Copper Links, Tee-off Connectors, Fuse Switch Disconnectors and MCCBs to be purchased separately.

Technical information: [Page 79](#)

Fuse Switch Tee-off Boxes

| Description | Dimensions (mm) | Cat ref. |
|--|--------------------|------------------|
| 100/160A fuse - Suits 1 or 2 x LT052 (size 00 DIN blade fuses) | 325w x 650h x 250d | TFS16023P |
| 250A fuse - Suits 1 x LT150 (size 1 DIN blade fuses) | 325w x 650h x 250d | TFS25013P |
| 2 x 250A fuse - Suits 1 or 2 x LT150 (size 1 DIN blade fuses) | 570w x 650h x 250d | TFS25023P |
| 400A fuse - Suits 1 x LT250 (size 2 DIN blade fuses) | 570w x 650h x 250d | TFS40013P |
| 2 x 400A fuse - Suits 1 or 2 x LT250 (size 2 DIN blade fuses) | 570w x 650h x 250d | TFS40023P |



TFS16023P

MCCB Tee-off Boxes

| Description | Dimensions (mm) | Cat ref. |
|--|--------------------|--|
| 1 x 160A MCCB - Suits 1 x X160 (HNA160U) | 325w x 650h x 250d | ★ TFMX16013P |
| 2 x 160A MCCB - Suits 2 x X160 (HNA160U) | 325w x 650h x 250d | ★ TFMX16023P |
| 4 x 160A MCCB - Suits 4 x X160 (HNA160U) | 570w x 650h x 250d | ★ TFMX16043P |
| 1 x 250A MCCB - Suits 1 x X250 (HNB250U) or H250 (HNC250H) | 570w x 650h x 250d | ★ TFMX25013P |
| 2 x 250A MCCB - Suits 2 x X250 (HNB250U) or H250 (HNC250H) | 570w x 650h x 250d | ✗ TFM25023P → ★ TFMX25023P |
| 3 x 250A MCCB - Suits 3 x X250 (HNB250U) or H250 (HNC250H) | 570w x 650h x 250d | ★ TFMX25033P |
| 2 x 400A MCCB - Suits 2 x HND400H | 570w x 650h x 250d | ✗ TFM40023P → ★ TFMX40023P |



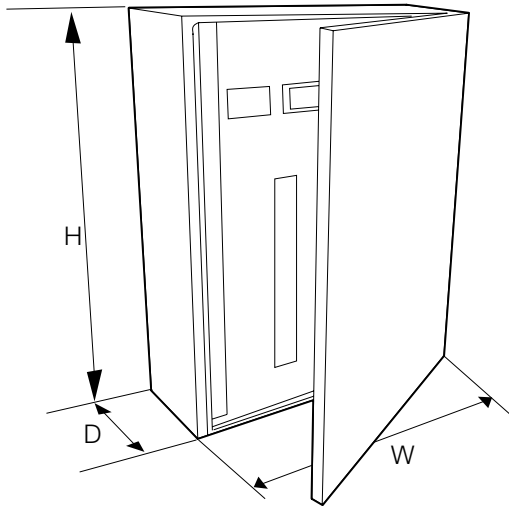
TFMX25023P

Tee-off Accessories

| Description | Cat ref. |
|--|---------------------|
| Copper Link bar with insulators, 4 tap-off 160A | ★ KP160-4DG |
| Copper Link bar with insulators, 3 tap-off 250A | ★ KP250-3ADG |
| Copper Link bar with insulators, 3 tap-off 400A | ★ KP400-3DG |
| Copper Link bar with insulators, 3 tap-off 630A | ★ KP630-3DG |
| End of the line kit - Suits 325mm width T-off enclosure - 4 insulators | TFL3254P |
| End of the line kit - Suits 570mm width T-off enclosure - 4 insulators | TFL5654P |



TFL3254P



| Enclosure dimensions (mm) | | H | W | D |
|---------------------------|---------------------|------|-----|-----|
| invicta | JVC2400xxxTW | 800 | 480 | 135 |
| panelboard | JVC3600xxxTW | 900 | 480 | 135 |
| | JVC4800xxxTW | 1000 | 480 | 135 |
| | JVC6000xxxTW | 1128 | 480 | 135 |
| | JVC7200xxxTW | 1235 | 480 | 135 |
| Extension box | JVC0EXTDW | 350 | 480 | 135 |

Enclosure

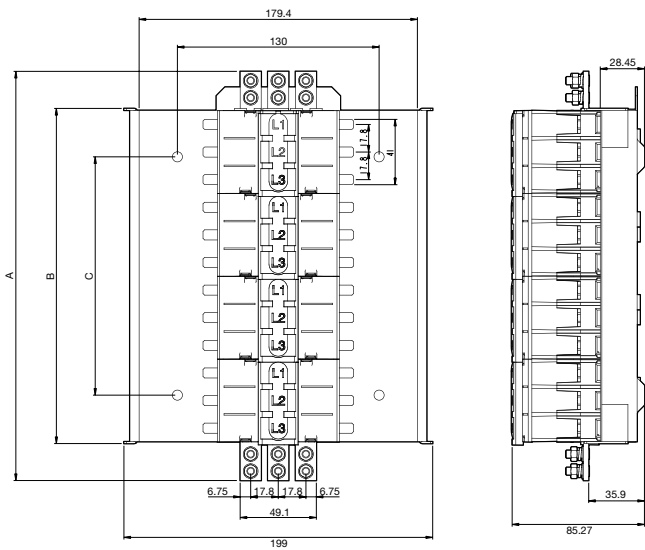
| | |
|------------|------------------------------------|
| Material | 1.2mm galvanised steel |
| Powdercoat | Ripple finish RAL7035 (light grey) |

Mechanical

| | | |
|------------------------------|---------------------|--|
| IP rating | IP30 | |
| Split earth and neutral bars | Earth bars | 12mm x 9mm |
| | Neutral bars | 12mm x 9mm |
| | Single screw tunnel | 7mm diameter (25mm ² cable) |
| | Rating | 250A |

Connections

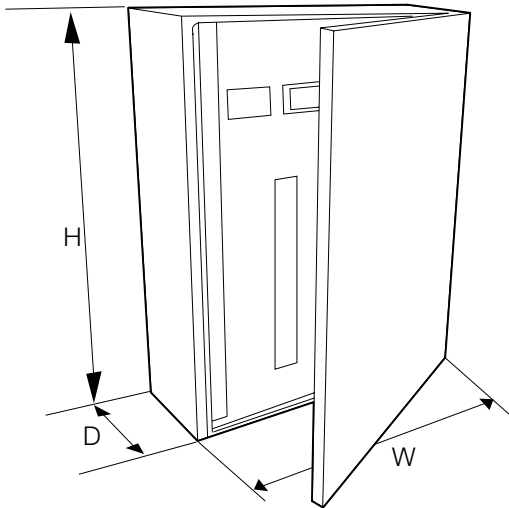
| | |
|------------------------------|--------------------------------|
| Main earth & neutral incomer | M10 bolt (30-44Nm max. torque) |
| 160A isolator | M8 bolt (30-44Nm max. torque) |
| 250A isolator | M8 bolt (30-44Nm max. torque) |



Standard chassis

| Dimensions (mm) | A | B | C |
|---------------------|-------|-------|-------|
| JVC2400xxxTW | 263.7 | 216 | 153.6 |
| JVC3600xxxTW | 370.7 | 322.8 | 130.2 |
| JVC4800xxxTW | 477.7 | 429.6 | 183.6 |
| JVC6000xxxTW | | | |
| JVC7200xxxTW | | | |

| | |
|---|--|
| Chassis Type | Standard Chassis |
| Compatible product series | MSNxxx and MDNxxx MCBs, 6kA, 6-63A, Type C and ADC9xxT RCBOs, 6kA, 6-32A, Type C, Add-On Block |
| Rated current (InA) | 250A |
| Rated voltage (Un) | 250V |
| Rated operational Voltage (Ue) | 415V, 50Hz |
| Rated Insulation Voltage (Ui) | 690V |
| Rated Impulse voltage (Uimp) | 4kV |
| Rated short circuit capability | 20kA, 0.2sec 40kA, peak |
| Rated short circuit withstand current of main busbar Icw, | 20kA rms, 40kA peak, 200ms |
| Tee-Off Direction | Left / Right |
| Split Chassis | No |
| Tee-Off Isolator | Yes |
| Capped Tee-Offs | 50 % |
| Split-In Field | No |
| Number of Poles, 18mm Pitch | From 24 to 48, 18mm Pitch |
| Output Phases | 3P |
| IP rating | IP2x |



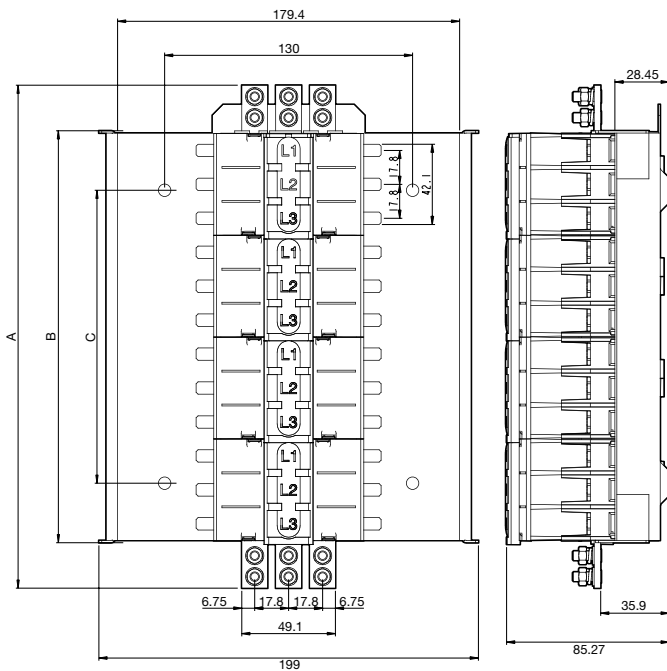
| Enclosure dimensions (mm) | H | W | D |
|--------------------------------|------|-----|-----|
| 24 pole JPA2400 | 800 | 600 | 200 |
| 36 pole JPA3600 | 1000 | 600 | 200 |
| 48 pole JPA4800 | 1200 | 600 | 200 |
| 60 pole JPA6000 | 1200 | 600 | 200 |
| 72 pole JPA7200 | 1400 | 600 | 200 |
| 96 pole JPA9600 | 1600 | 600 | 200 |
| Extension boxes JPA0EXT | 400 | 600 | 200 |

Enclosure

| | |
|--------------|--|
| Material | 1.6mm galvanised steel |
| Powdercoat | RAL7035 (light grey) / X15 orange option |
| Gland plates | 1.6mm galvanised steel top and bottom |

Mechanical

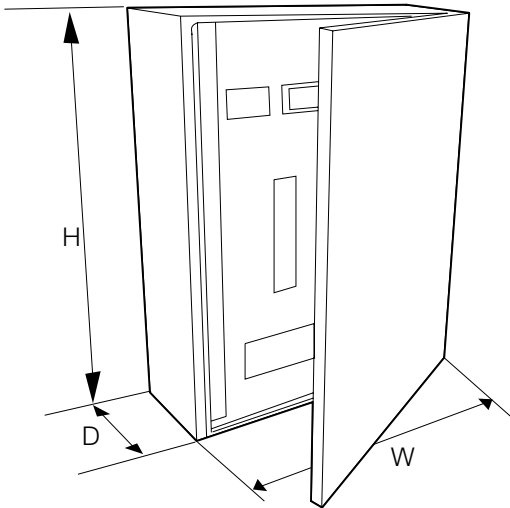
| | | |
|------------------------------|--|---------------|
| IP rating | IP43 | |
| Split earth and neutral bars | Earth bars | 15.9mm x 12mm |
| | Neutral bars | 15.9mm x 12mm |
| Single screw tunnel | 7mm diameter (25mm ² cable) | |
| M8 stud points | Top and Bottom | |
| Rating | 250A | |



Standard chassis

| Dimensions (mm) | A | B | C |
|-----------------|-------|-------|-------|
| JPD2400C | 263.7 | 216 | 153.6 |
| JPD3600C | 370.7 | 322.8 | 130.2 |
| JPD4800C | 477.7 | 429.6 | 183.6 |
| JPD6000C | 584.7 | 536.4 | 237 |
| JPD7200C | 691.7 | 643.2 | 290.4 |
| JPD9600C | 798.7 | 856.8 | 397.2 |

| | |
|--------------------------------|--|
| Chassis Type | Standard Chassis |
| Compatible product series | NTxxx, MSNxxx and MDNxxx MCBs, Ax1xxT and Ax1xxT RCBOs, Add-on Block |
| Rated current (InA) | 250A |
| Rated voltage (Un) | 250V |
| Rated operational Voltage (Ue) | 415V, 50Hz |
| Rated Insulation Voltage (Ui) | 690V |
| Rated Impulse voltage (Uimp) | 4kV |
| Rated short circuit capability | 20kA, 0.2sec |
| | 40kA, peak |
| Tee-Off Direction | Left / Right |
| Split Chassis | No |
| Tee-Off Isolator | Yes |
| Capped Tee-Offs | 50 % |
| Split-In Field | No |
| Number of Poles, 18mm Pitch | From 24 to 96, 18mm Pitch |
| Output Phases | 3P |
| IP rating | IP2x |



Enclosure dimensions (mm)

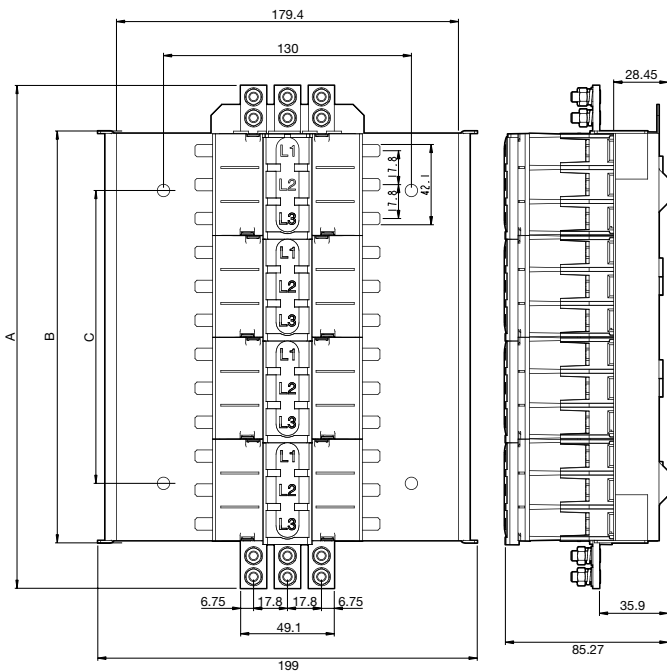
| Std Chassis | Split Chassis | H | W | D |
|-----------------|----------------|------|-----|-----|
| JPD2400 | | 1000 | 600 | 200 |
| JPD3600 | JPD1812 | 1200 | 600 | 200 |
| JPD4800 | JPD2418 | 1200 | 600 | 200 |
| | JPD3012 | 1200 | 600 | 200 |
| JPD6000 | JPD3618 | 1400 | 600 | 200 |
| | JPD4212 | 1400 | 600 | 200 |
| JPD7200 | JPD3630 | 1400 | 600 | 200 |
| | JPD4224 | 1400 | 600 | 200 |
| | JPD4818 | 1400 | 600 | 200 |
| | JPD3W60 | 1400 | 600 | 200 |
| JPD9600 | JPD4842 | 1600 | 600 | 200 |
| | JPD6030 | 1600 | 600 | 200 |
| | JPD7218 | 1600 | 600 | 200 |
| | JPD4W78 | 1600 | 600 | 200 |
| Extension boxes | JPA0EXT | 400 | 600 | 200 |

Enclosure

| | |
|--------------|--|
| Material | 1.6mm galvanised steel |
| Powdercoat | RAL7035 (light grey) / X15 orange option |
| Gland plates | 1.6mm galvanised steel top and bottom |

Mechanical

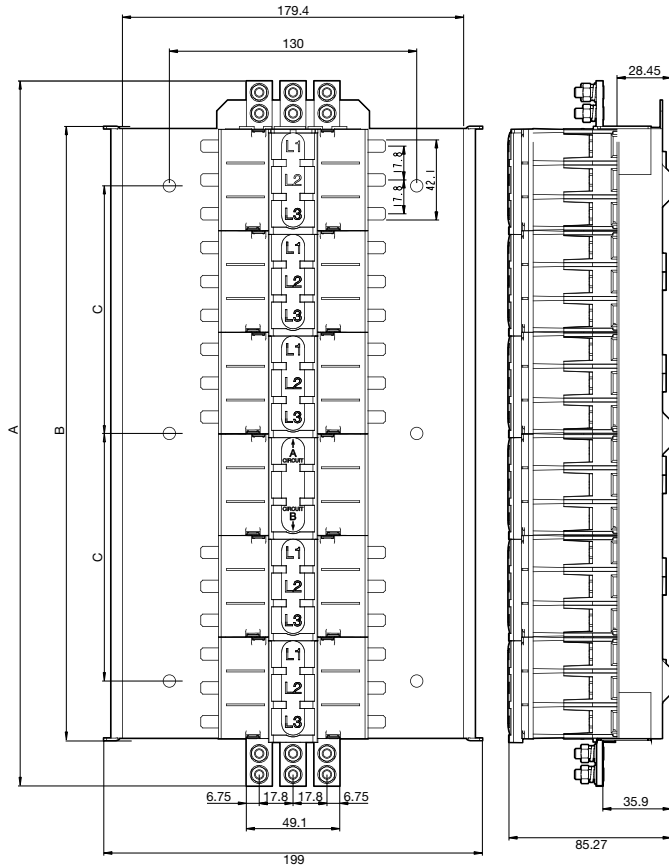
| | | |
|------------------------------|--|---------------|
| IP rating | IP43 | |
| Split earth and neutral bars | Earth bars | 15.9mm x 12mm |
| | Neutral bars | 15.9mm x 12mm |
| Single screw tunnel | 7mm diameter (25mm ² cable) | |
| M8 stud points | Top and Bottom | |
| Rating | 250A | |



Standard chassis

| Dimensions (mm) | A | B | C |
|-----------------|-------|-------|-------|
| JPD2400C | 263.7 | 216 | 153.6 |
| JPD3600C | 370.7 | 322.8 | 130.2 |
| JPD4800C | 477.7 | 429.6 | 183.6 |
| JPD6000C | 584.7 | 536.4 | 237 |
| JPD7200C | 691.7 | 643.2 | 290.4 |
| JPD9600C | 798.7 | 856.8 | 397.2 |

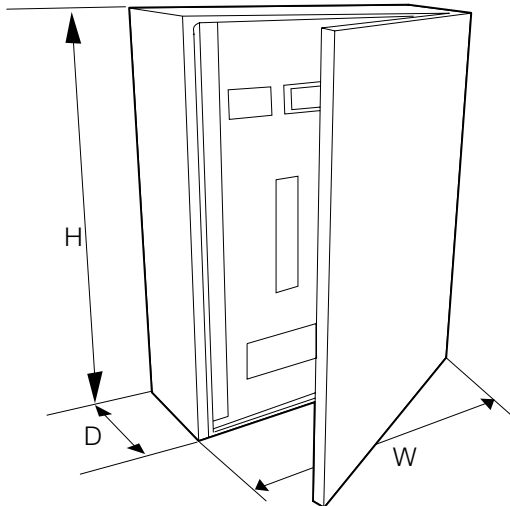
| | |
|--------------------------------|--|
| Chassis Type | Standard Chassis |
| Compatible product series | NDNxxx, NTxxx, MDNxxx and MSNxxx MCBs, ADA1, AD1, ACA1, AC1, AxA1 or Ax1 RCBOs, Add-on Block |
| Rated current (InA) | 250A |
| Rated voltage (Un) | 250V |
| Rated operational Voltage (Ue) | 415V, 50Hz |
| Rated Insulation Voltage (Ui) | 690V |
| Rated Impulse voltage (Uimp) | 4kV |
| Rated short circuit capability | 20kA, 0.2sec 40kA, peak |
| Tee-Off Direction | Left / Right |
| Split Chassis | No |
| Tee-Off Isolator | Yes |
| Capped Tee-Offs | 50 % |
| Split-In Field | No |
| Number of Poles, 18mm Pitch | From 24 to 96, 18mm Pitch |
| Output Phases | 3P |
| IP rating | IP2x |



Split chassis

| | A | B | C |
|-----------------|----------|----------|----------|
| Dimensions (mm) | | | |
| JPD1812C | 370.7 | 322.8 | 130.2 |
| JPD2418C | 477.7 | 429.6 | 183.6 |
| JPD3012C | 477.7 | 429.6 | 183.6 |
| JPD3618C | 584.7 | 536.4 | 237 |
| JPD4212C | 584.7 | 536.4 | 237 |
| JPD3630C | 691.7 | 643.2 | 290.4 |
| JPD4224C | 691.7 | 643.2 | 290.4 |
| JPD4818C | 691.7 | 643.2 | 290.4 |
| JK2B60PA | 691.7 | 643.2 | 290.4 |
| JPD4842C | 798.7 | 856.8 | 397.2 |
| JPD6030C | 798.7 | 856.8 | 397.2 |
| JPD7218C | 798.7 | 856.8 | 397.2 |
| JK2B78PA | 798.7 | 856.8 | 397.2 |

| | |
|--------------------------------|--|
| Chassis Type | Split Chassis |
| Compatible product series | NDNxxx, NTxxx, MDNxxx and MSNxxx MCBs, AxA1 and Ax1 RCBOs, Add-on Block |
| Rated current (InA) | 250A |
| Rated voltage (Un) | 250V |
| Rated operational Voltage (Ue) | 415V, 50Hz |
| Rated Insulation Voltage (Ui) | 690V |
| Rated Impulse voltage (Uimp) | 4kV |
| Rated short circuit capability | 20kA, 0.2sec 40kA, peak |
| Tee-Off Direction | Left / Right |
| Split Chassis | Yes |
| Tee-Off Isolator | Yes |
| Capped Tee-Offs | 50 % |
| Split-In Field | No |
| Number of Poles, 18mm Pitch | From 30 to 90, 18mm Pitch |
| Output Phases | 3P |
| IP rating | IP2x |



Enclosure dimensions (mm)

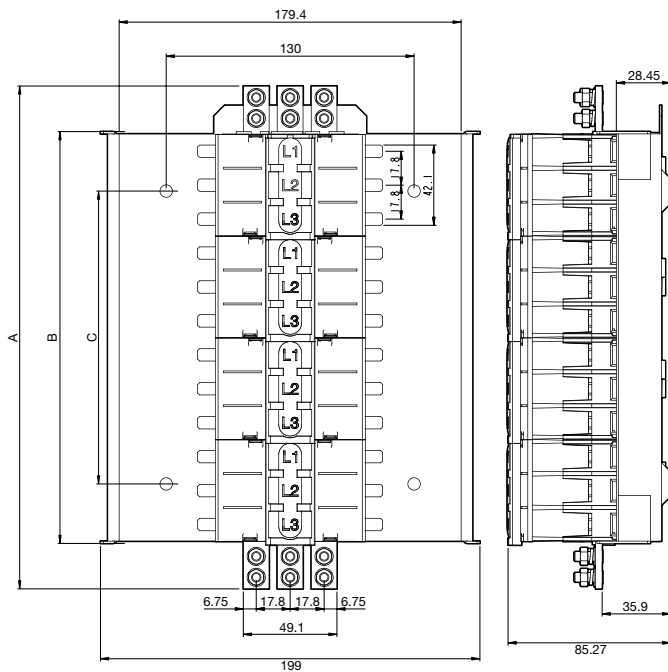
| Std Chassis | Split Chassis | H | W | D |
|-----------------|----------------|------|-----|-----|
| JPE2400 | | 1000 | 600 | 250 |
| JPE3600 | JPE1812 | 1200 | 600 | 250 |
| JPE4800 | JPE2418 | 1200 | 600 | 250 |
| | JPE3012 | 1200 | 600 | 250 |
| JPE6000 | JPE3618 | 1400 | 600 | 250 |
| | JPE4212 | 1400 | 600 | 250 |
| JPE7200 | JPE3630 | 1400 | 600 | 250 |
| | JPE4224 | 1400 | 600 | 250 |
| | JPE4818 | 1400 | 600 | 250 |
| | JPE3W60 | 1400 | 600 | 250 |
| JPE9600 | JPE4842 | 1600 | 600 | 250 |
| | JPE6030 | 1600 | 600 | 250 |
| | JPE7218 | 1600 | 600 | 250 |
| | JPE3W60 | 1600 | 600 | 250 |
| | JPE4W78 | 1600 | 600 | 250 |
| Extension boxes | JPE0EXT | 400 | 600 | 250 |

Enclosure

| | |
|-----------------------------|---|
| Material | 1.6mm galvanised steel or 1.2mm 316 grade, stainless steel |
| Powdercoat | RAL7035 (light grey) / X15 orange option |
| Gland plates top and bottom | 1.6mm galvanised steel or 1.2mm Stainless steel |

Mechanical

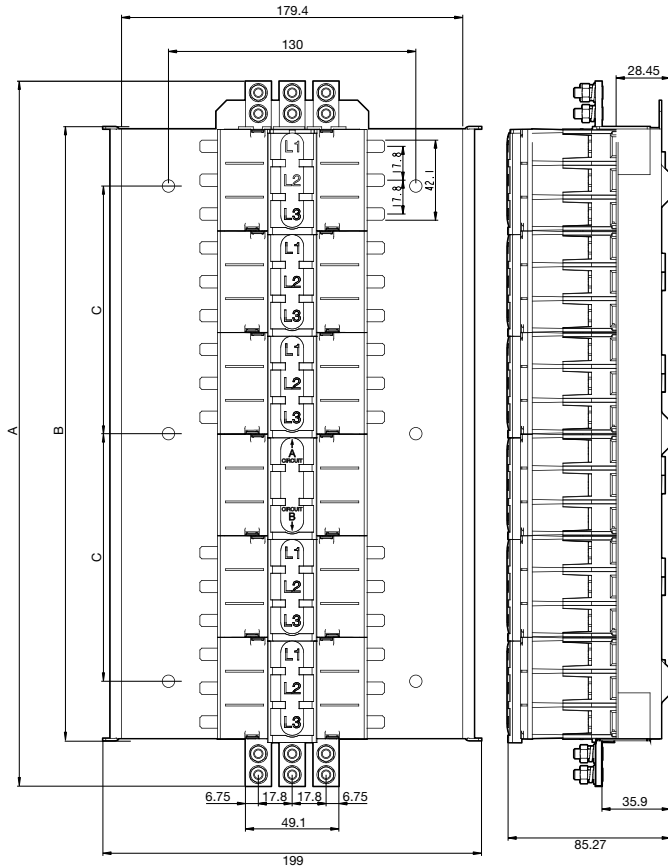
| | | |
|------------------------------|--|---------------|
| IP rating | IP66 | |
| Split earth and neutral bars | Earth bars | 15.9mm x 12mm |
| | Neutral bars | 15.9mm x 12mm |
| Double screw tunnel | 7mm diameter (25mm ² cable) | |
| M8 stud points | Top and Bottom | |
| Rating | 250A | |



Standard chassis

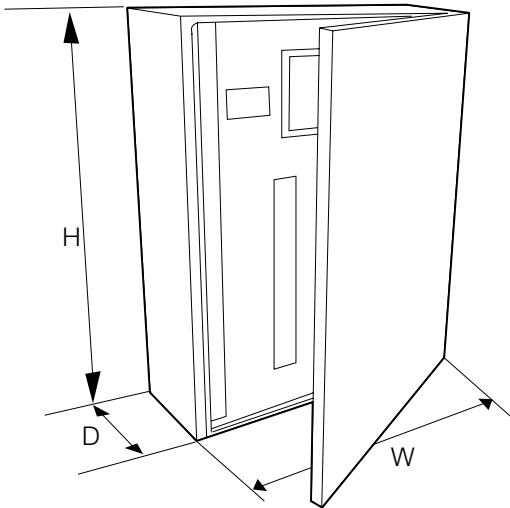
| Dimensions (mm) | | A | B | C |
|-----------------|--|-------|-------|-------|
| JPD2400C | | 263.7 | 216 | 153.6 |
| JPD3600C | | 370.7 | 322.8 | 130.2 |
| JPD4800C | | 477.7 | 429.6 | 183.6 |
| JPD6000C | | 584.7 | 536.4 | 237 |
| JPD7200C | | 691.7 | 643.2 | 290.4 |
| JPD9600C | | 798.7 | 856.8 | 397.2 |

| | |
|--------------------------------|---|
| Chassis Type | Standard Chassis |
| Compatible product series | NTxxx, MDNxxx and MSNxxx MCBs, AxA1 and Ax1 RCBOs, Add-On Block |
| Rated current (InA) | 250A |
| Rated voltage (Un) | 250V |
| Rated operational Voltage (Ue) | 415V, 50Hz |
| Rated Insulation Voltage (Ui) | 690V |
| Rated Impulse voltage (Uimp) | 4kV |
| Rated short circuit capability | 20kA, 0.2sec |
| | 40kA, peak |
| Tee-Off Direction | Left / Right |
| Split Chassis | No |
| Tee-Off Isolator | Yes |
| Capped Tee-Offs | 50 % |
| Split-In Field | No |
| Number of Poles, 18mm Pitch | From 24 to 96, 18mm Pitch |
| Output Phases | 3P |
| IP rating | IP2x |



| Split chassis | A | B | C |
|------------------------|-------|-------|-------|
| Dimensions (mm) | | | |
| JPD1812C | 370.7 | 322.8 | 130.2 |
| JPD2418C | 477.7 | 429.6 | 183.6 |
| JPD3012C | 477.7 | 429.6 | 183.6 |
| JPD3618C | 584.7 | 536.4 | 237 |
| JPD4212C | 584.7 | 536.4 | 237 |
| JPD3630C | 691.7 | 643.2 | 290.4 |
| JPD4224C | 691.7 | 643.2 | 290.4 |
| JPD4818C | 691.7 | 643.2 | 290.4 |
| JK2B60PA | 691.7 | 643.2 | 290.4 |
| JPD4842C | 798.7 | 856.8 | 397.2 |
| JPD6030C | 798.7 | 856.8 | 397.2 |
| JPD7218C | 798.7 | 856.8 | 397.2 |
| JK2B78PA | 798.7 | 856.8 | 397.2 |

| | |
|--------------------------------|--|
| Chassis Type | Split Chassis |
| Compatible product series | NTxxx, MDNxxx nd MSNxxx MCBs, AxA1 and Ax1 RCBOs, Add-on Block |
| Rated current (InA) | 250A |
| Rated voltage (Un) | 250V |
| Rated operational Voltage (Ue) | 415V, 50Hz |
| Rated Insulation Voltage (Ui) | 690V |
| Rated Impulse voltage (Uimp) | 4kV |
| Rated short circuit capability | 20kA, 0.2sec 40kA, peak |
| Tee-Off Direction | Left / Right |
| Split Chassis | Yes |
| Tee-Off Isolator | Yes |
| Capped Tee-Offs | 50 % |
| Split-In Field | No |
| Number of Poles, 18mm Pitch | From 30 to 90, 18mm Pitch |
| Output Phases | 3P |
| IP rating | IP2x |



Enclosure dimensions (mm)

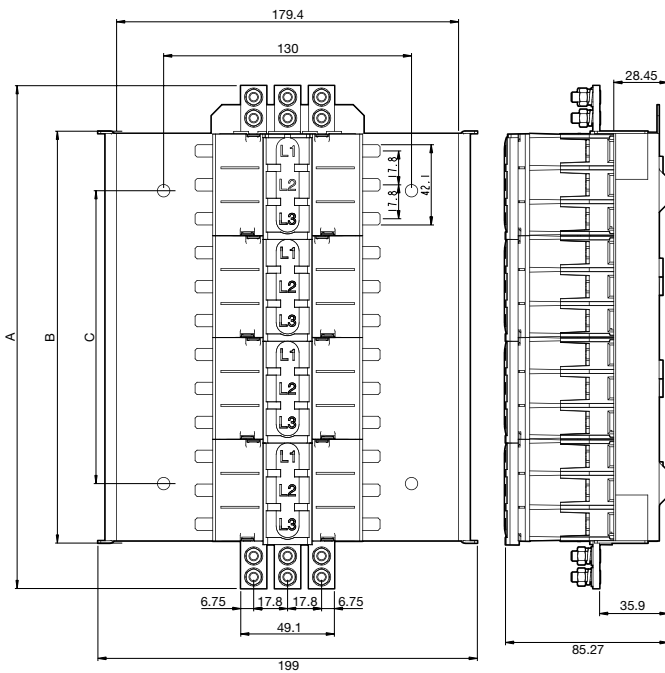
| Std Chassis | Hybrid Chassis | H | W | D |
|-----------------|----------------|------|-----|-----|
| | JPE0612 | 1000 | 600 | 250 |
| JPE3600 | JPE0624 | 1200 | 600 | 250 |
| JPE4800 | JPE0636 | 1200 | 600 | 250 |
| JPE6000 | JPE1248 | 1400 | 600 | 250 |
| JPE7200 | | 1400 | 600 | 250 |
| JPE9600 | | 1600 | 600 | 250 |
| Extension boxes | JPE0EXT | 400 | 600 | 250 |

Enclosure

| | |
|-----------------------------|---|
| Material | 1.6mm galvanised steel or 1.2mm 316 grade, stainless steel |
| Powdercoat | RAL7035 (light grey) / X15 orange option |
| Gland plates top and bottom | 1.6mm galvanised steel or 1.2mm Stainless steel |

Mechanical

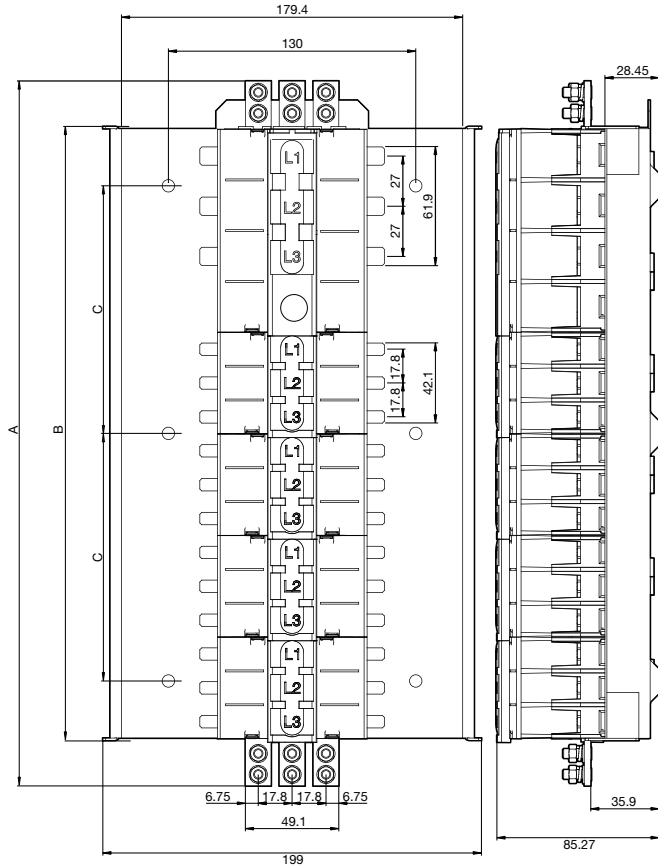
| | | |
|-----------------|---|---|
| IP rating | IP66 | |
| E&N bars | Std chassis | Hybrid chassis |
| Earth bars | 2 x M8 studs | 2 x M10 studs |
| E bar size | 15.9mm x 12mm | 19mm x 19mm |
| Neutral bars | Split | 15.9mm x 12mm |
| N bar size | 15.9mm x 12mm | 19mm x 19mm |
| Connection | Double screw tunnel | |
| Connection size | 7mm tunnel (25mm ² cable) | 10mm tunnel (35mm ² cable) 7mm tunnel (25mm ² cable) |



Standard chassis

| Dimensions (mm) | A | B | C |
|-----------------|-------|-------|-------|
| JK4P12C1 | 370.7 | 322.8 | 130.2 |
| JK4P16C1 | 477.7 | 429.6 | 183.6 |
| JK4P20C1 | 584.7 | 536.4 | 237 |
| JK4P24C1 | 691.7 | 643.2 | 290.4 |
| JK4P32C1 | 798.7 | 856.8 | 397.2 |

| | |
|--------------------------------|--|
| Chassis Type | Standard Chassis |
| Compatible product series | NTxxx, MDNxxx and MSNxxx MCBs, AxA1 and Ax1 RCBOs, Add-on Block |
| Rated current (InA) | 325A (36 pole), 375A (48, 60, 72, 96 pole) |
| Rated voltage (Un) | 250V |
| Rated operational Voltage (Ue) | 415V, 50Hz |
| Rated Insulation Voltage (Ui) | 690V |
| Rated Impulse voltage (Uimp) | 4kV |
| Rated short circuit capability | 20kA, 0.2sec 40kA, peak |
| Tee-Off Direction | Left / Right |
| Split Chassis | No |
| Tee-Off Isolator | Yes |
| Capped Tee-Offs | 50 % |
| Split-In Field | No |
| Number of Poles, 18mm Pitch | From 36 to 96, 18mm Pitch |
| Output Phases | 3P |
| IP rating | IP2x |



| Hybrid chassis | | A | B | C |
|--------------------------------|---------------------------------------|---|-------|-------|
| Dimensions (mm) | JK4P204C1 | 263.7 | 216 | 153.6 |
| | JK4P208C1 | 370.7 | 322.8 | 130.2 |
| | JK4P212C1 | 477.7 | 429.6 | 183.6 |
| | JK4P416C1 | 584.7 | 536.4 | 237 |
| Chassis Type | Hybrid Chassis | | | |
| Compatible product series | 1.5mod chassis | HMFxxxT 10kA, 80-125A, Type C | | |
| | 1 mod chassis | NTxxx, MDNxxx and MSNxxx MCBs, AxA1 and Ax1 RCBOs, Add-on Block | | |
| Rated current (InA) | 320A (6+12), 400A (6+24, 6+36, 12+48) | | | |
| Rated voltage (Un) | 250V | | | |
| Rated operational Voltage (Ue) | 415V, 50Hz | | | |
| Rated Insulation Voltage (Ui) | 690V | | | |
| Rated Impulse voltage (Uimp) | 4kV | | | |
| Rated short circuit capability | 20kA, 0.2sec | | | |
| | 40kA, peak | | | |
| Tee-Off Direction | Left / Right | | | |
| Split Chassis | Yes | | | |
| Tee-Off Isolator | Yes | | | |
| Capped Tee-Offs | 50 % | | | |
| Split-In Field | No | | | |
| Number of Poles, | From 6 to 12, 27mm pitch | | | |
| | From 18 to 60, 18mm pitch | | | |
| Output Phases | 3P | | | |
| IP rating | IP2x | | | |

Main characteristics according to IEC 60947-3

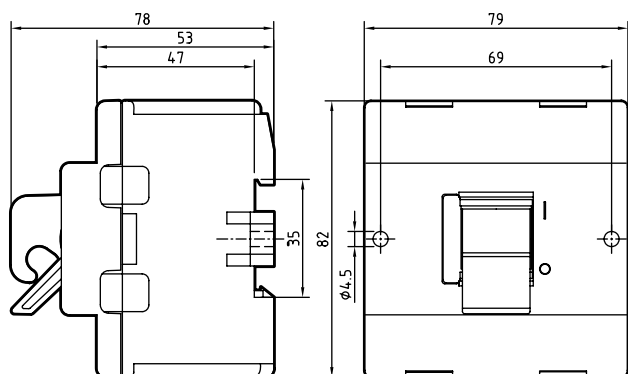
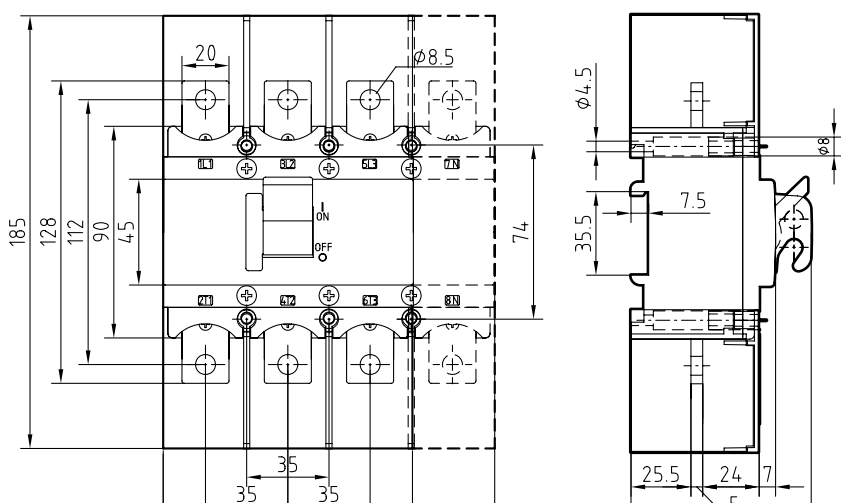
| | 160A | 250A |
|--|---|-------------------|
| Rated operating voltage U_e (Vac) | 415 | 415 |
| Rated thermal current, I_{th} (A) | 160 | 250 |
| Rated frequency (Hz) | 50/60 | 50/60 |
| Rated insulation voltage, U_i (V) | 690 | 690 |
| Impulse withstand voltage, U_{imp} (kV) | 6 | 6 |
| Rated operational current, I_e at 415 Vac (A) | AC-21 AC-22 AC-23 | 250 250 200 |
| Rated short circuit making capacity, I_{cm} at 415 Vac (kA) | 6 | 7 |
| Rated short time withstand current (1 s), I_{cw} at 416 Vac (kA) | 4 | 6 |
| Rated conditional short circuit current | Back-up fuse (A) R.M.S. Value, I_k (kA) Peak value (kA) | 250 50 25 |
| Rated operational power for 3-phase motors (kW) | AC-23 | 90 |

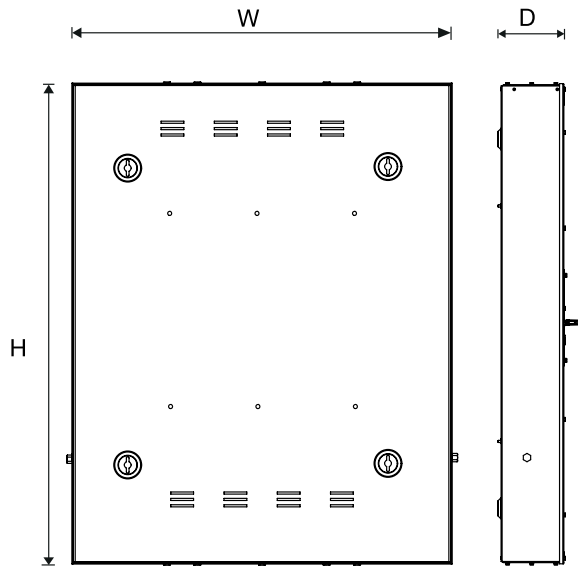
Connection capacity

| | 160A | 250A |
|---------------------------------------|-----------|-----------|
| Terminal bolt size | M8 (20mm) | M8 (20mm) |
| Nominal cable size (mm ²) | 95 | 120 |
| Tightening torque (Nm) | 15-22 | 15-22 |

Other characteristics

| | 160A | 250A |
|-----------------------------------|------------------|------------------|
| Mechanical endurance (operations) | 16000 | 16000 |
| Electrical endurance (operations) | 2000 | 2000 |
| Operating temperature (°C) | -20 to 50 | -20 to 50 |
| Storage temperature (°C) | -40 to 80 | -40 to 80 |
| Toggle colour | Gray | Gray |
| Padlock (mm) | 6 | 6 |
| Mounting | DIN rail / plate | DIN rail / plate |

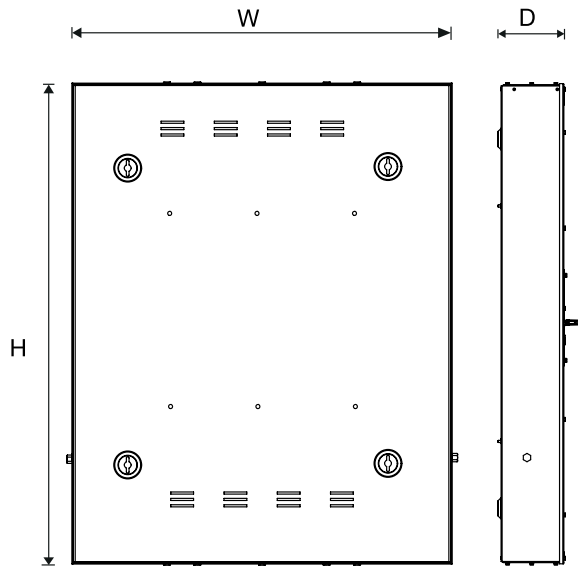




| Enclosure dimensions (mm) | | H | W | D |
|---------------------------|------------------|-----|-----|-----|
| 63A | FL063ATSA | 650 | 500 | 200 |
| 100A | FL100ATSA | 650 | 500 | 200 |
| 160A | FL160ATSA | 650 | 500 | 200 |
| 250A | FL250ATSA | 800 | 600 | 400 |
| 400A | FL400ATSA | 800 | 600 | 400 |

Interface Characteristics

| | |
|--|----------------------|
| Rated & operational voltage (Un/Ue) | 415V a.c. 50Hz |
| Rated insulation voltage (Ui) | 800V a.c. 50Hz |
| Rated impulse withstand voltage (Uimp) | 8kV |
| Rated conditional short-circuit current of the assembly | 25kA |
| Rated peak withstand current (Ipk) | 40kA |
| Rated diversity factor (RDF) / values of assumed loading | RDF = 1 |
| Rated frequency (fn) | 50Hz |
| Enclosed Assembly | AS/NZS 61439.2 |
| MCCB only | IEC 60947.2 |
| Degree of protection | IP65 |
| Intended location | Indoor use only |
| Mechanical impact protection | IK10 |
| Type of construction | Fixed parts |
| Intended use | Skilled persons only |
| Electromagnetic compatibility | Environment B |
| Stationary assembly external design | Wall mounted |
| Pollution degree | 3 |
| Form of separation | Form 1 |
| Connections of functional unit:- Incoming/Outgoing circuit connection | F (Fixed) |
| Suitable earthing system (When installed in an electrical system conforming to BS7671) | TNC-S, TN-S & TT |

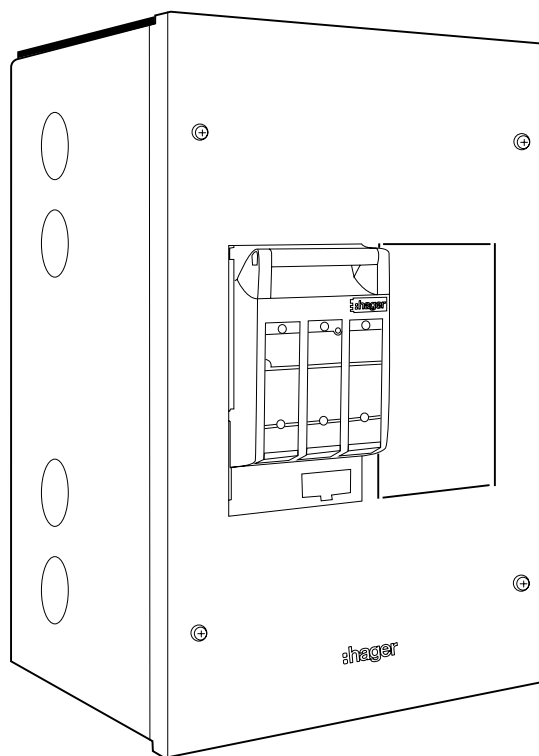


Enclosure dimensions (mm)

| | | H | W | D |
|------|-----------------|-----|-----|-----|
| 125A | FL125CBA | 650 | 400 | 250 |
| 250A | FL250CBA | 650 | 400 | 250 |
| 400A | FL400CBA | 800 | 600 | 300 |
| 630A | FL630CBA | 800 | 600 | 300 |

Interface Characteristics

| | |
|--|----------------------|
| Rated & operational voltage (Un/Ue) | 415V a.c. 50Hz |
| Rated insulation voltage (Ui) | 800V a.c. 50Hz |
| Rated impulse withstand voltage (Uimp) | 8kV |
| Rated conditional short-circuit current of the assembly | 25kA |
| Rated peak withstand current (Ipk) | 40kA |
| Rated diversity factor (RDF) / values of assumed loading | RDF = 1 |
| Rated frequency (fn) | 50Hz |
| Enclosed Assembly | AS/NZS 61439.2 |
| MCCB only | IEC 60947.2 |
| Degree of protection | IP65 |
| Intended location | Indoor use only |
| Mechanical impact protection | IK10 |
| Type of construction | Fixed parts |
| Intended use | Skilled persons only |
| Electromagnetic compatibility | Environment B |
| Stationary assembly external design | Wall mounted |
| Pollution degree | 3 |
| Form of separation | Form 1 |
| Connections of functional unit:- Incoming/Outgoing circuit connection | F (Fixed) |
| Suitable earthing system (When installed in an electrical system conforming to BS7671) | TNC-S, TN-S & TT |



| Enclosure dimensions (mm) | W | H | D |
|---------------------------|-----|-----|-----|
| TFS16023P | 325 | 650 | 250 |
| TFS25013P | 325 | 650 | 250 |
| TFS25023P | 570 | 650 | 250 |
| TFS40013P | 570 | 650 | 250 |
| TFS40023P | 570 | 650 | 250 |
| TFMX16013P | 325 | 650 | 250 |
| TFMX16023P | 325 | 650 | 250 |
| TFMX16043P | 570 | 650 | 250 |
| TFMX25013P | 570 | 650 | 250 |
| TFMX25033P | 570 | 650 | 250 |
| TFMX25023P | 570 | 650 | 250 |
| TFMX40023P | 570 | 650 | 250 |

Regulatory

Standards compliance AS/NZS 4139-1 and AS/NZS 61438.2

Enclosure

Material 1.5mm zincanneal body
1.2mm zincanneal escutcheon
1.5mm galvanised steel chassis

Powdercoat RAL9002

Electrical

| TFSxxxxP fuse switch box | DIN fuse sizes | Amps | Fuse switch |
|--------------------------|----------------|------------------------------|-------------|
| | 00 & 000 | 100/160A | LT052 |
| | 1 | 250A | LT150 |
| | 2 | 400A | LT250 |
| TFMxxxxP MCCB box | | 250A HNC250H or 400A HND400H | |