

Residential Enclosures and Load Centres

Our Residential Enclosures and Load Centres have been developed with a strong aesthetic integrating unique features as a result of feedback from homeowners, electrical contractors and house builders. There is sure to be a Hager Enclosure to suit your specific application.



Guide to the Residential Enclosure and Load Centre Range	82
VD IP30 Enclosures - Surface Mounted IP30	84
GD Enclosures - Surface Mounted IP30/IP40	85
VT Metal Enclosures	86
vector Enclosures - Surface Mounted IP65	87
golf Enclosures - Surface Mounted	88
golf Enclosures - Flush Mounted	89
golf Home Networking Enclosures	91
TN Network Enclosure	92
vega D Enclosures	94
Technical Information	96

Residential Enclosures and Load Centres



VD IP30 Range
Page 84



GD IP30/IP40 Range
Page 85



VT Range
Page 86



VE IP65 Range
Page 87

No. of Modules	1 - 10	2 - 6	9 - 48	3 - 48
Mounting	Surface	Surface	Surface or Flush	Surface
Material	Plastic	Plastic	1.2mm galvanised steel	UV stabilised plastic
Colour	RAL 9010 (pure white)	RAL 9010 (pure white)	RAL 9002 (grey white)	RAL 7035 (light grey)
IP	IP30	IP30, IP40 with door	IP30w	IP65
Links	Brass links in 8 mod only	Not supplied with enclosure	Brass links	Brass links
Doors	Supplied with enclosure 6 - 8 mod only Opaque or transparent	Not supplied with enclosure	Not supplied with enclosure	Supplied with enclosure Transparent
Spare doors	Not available	Opaque - GP1xxP Transparent - GP1xxT	Opaque only - VT04x VT92263 - VT03x	Transparent
Optional key lock part	VZ313	VZ313	JK1XKLS	VZ311
Additional pole fillers	JP011 - White	JP011 - White	JP010 - Grey	JP010 - Grey

DIN rail enclosures

golf Enclosure Accessories

Pg 90, 91, 93



Earthed metal back plates



Accessories



Enclosure Sliders

References	VFxxxBP	Key lock - VZ794N Cable guides - VZ699N Labelling stickers - VZ788N	VZ849N VZ850N VZ852N
-------------------	---------	---	----------------------------

vega D Enclosure Accessories

Pg 95



Key Locks



Schedule Holder



Universal Hybrid Link Terminal Mounting Support

References	FD00S0 FD00S1	FZ794	KN00A
-------------------	------------------	-------	-------



Gear Tray Module

FD02C2



Cable Management

UZ25V1
UZ25V2
UZ01V1



DIN Rail

UZ02B9



RAL 9010 pole fillers

JP002



golf Range
Page 88

4 - 72

Surface or Flush

Plastic

RAL 9010 (pure white)

IP40

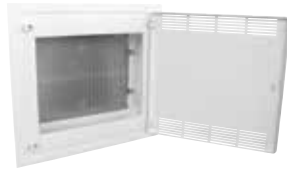
Brass links
Q-Links

Supplied with enclosure
Opaque or transparent

Opaque - VZ60/1xN
Transparent - VZ62/3xN

VZ794N

JP011 - White



golf Home Networking Range
Page 91

12

Surface or Flush

Plastic

RAL 9010 (pure white)

IP40

Not supplied with enclosure

Supplied with enclosure
Opaque only

Opaque - VZ85xN

VZ794N

Not applicable



TN Network Enclosure
Page 92

18

Surface

Plastic

RAL 9010 (pure white)

IP30

Not supplied with enclosure

Supplied with enclosure
Opaque only

Not available

VZ794N

Not applicable



vega D Range
Page 94

96 - 168

Surface or Flush

Sheet metal and injected plastic
combination

RAL 9010 (pure white)

IP40 with door (flush)
IP41 with door (surface)

Brass links

Not supplied with enclosure

Opaque - FDxxPN
Transparent - FDxxTN

FD00S0

JP002 or JP010



Connectors

TN002S
TN003S
TN010S



Telephone Splitters

TN131
TN111



Patch Cables

TN735B
TN740B



Plates

VZ851N
VZ853N



Enclosure Width Hybrid Q Link Terminal Mounting Support

FD00Q1



Neutral Hybrid Screw & Q Link Terminals

Neutral - KNxxN



Earth Hybrid Screw & Q Link Terminals

Earth - KNxxE



Phase Hybrid Screw & Q Link Terminals

Phase - KNxxP



Passive Vent Kit

FD00P5



Internal Partitions

FD00A3
FD00A4



External Wall Brackets

FD00F2



Mounting Anchors

VZ405N

Description

Our VD series offers 1 row plastic covers for 1 to 18 modules.

They are suitable as pole covers and small load centres for devices up to 70mm installation depth with multiple mounting, cable entry positions and stylish design.

Specifications

- IP30, IK07
- Isolation Class II / Double insulated
- Larger size enclosures equipped with plain or transparent door
- Colour: RAL 9010
- Cover fixed by screws
- Suitable for MPD up to 80A - depending on power dissipation loss

Standards

- Compliant to AS/NZS 5112 and AS/NZS 61439-3

Dimension data: [Page 96](#)

DIN rail enclosures



VD102NT



VD104NT

VD Surface Mounted Pole Cover Enclosures without door

Facility to be tampered sealed with wire.

Description	Number of module(s)	Dimensions (mm)	Cat ref.
1 row	1 mod	27.5w x 163.5h x 71d	VD101NT
- plastic DIN rail	2 mod	45.5w x 163.5h x 71d	VD102NT
	3 mod	63.5w x 163.5h x 71d	VD103NT
	4 mod	81.5w x 163.5h x 71d	VD104NT



VD106TT



VD118TT

VD Surface Mounted Enclosures with opaque or transparent door

Description	Number of Module(s)	80A brass terminal	80A brass terminal		Dimensions (mm)	Cat ref. Transparent door	Cat ref. Opaque door
			16mm ²	35mm ²			
1 row	6 mod	-	-	-	134.5 w x 170h x 91d	VD106TT	VD106PT
	8 mod	Neutral	8	1	170.5w x 170h x 91d	VD108TT	VD108PT
		Earth	6	1			
	10 mod	Neutral	10	2	206.5 w x 170h x 91d	VD110TT	VD110PT
		Earth	7	2			
	12 mod	Neutral	13	4	292.5w x 200h x 91d	VD112TT	VD112PT
		Earth	7	2			
	18 mod	Neutral	20	4	400w x 200h x 91d	VD118TT	VD118PT
		Earth	10	2			



JP011

VD Enclosure Accessories

Description	Cat ref.
6 mod door	VZ910N1
8 mod door	VZ912N
10 mod door	VZ916N
12 mod door	VZ918N
18 mod door	VZ920N
Door locking kit with 2 keys - 61005	VZ313
Spare key - 61005	VZ312
Pole filler set - White - 5pk 0.5 mod	JP011
2x brass terminals set - 3 x 35mm ² + 7x16mm Brass terminals suitable for VD enclosures with door	2AR904AU

Description

Our GD series offers 1 row insulated enclosures for 2, 4 and 6 modules.

They offer generous wiring space on top, bottom and the sides with an extensive choice of mounting positions. Constructed of durable 100% recyclable and insulated plastic. Available empty or loaded.

Specifications

- Facility for cover to be sealed
- Cover fixed by quarter turn screws
- IP30 without door installation
- IP40 with a door installed
- IK05
- Suitable for MPD up to 63A - depending on power dissipation loss
- Marking strip clips on escutcheon
- Isolation Class II / Double insulated

Options:

- Opaque or transparent doors
- Key lock
- Pole fillers - JP011

Standards

- Compliant to AS/NZS 61439-3

Dimension data: [Page 97](#)

GD Surface Mounted Pole Cover Enclosures without door

Description	Number of module(s)	Dimensions (mm)	Cat ref.
1 row	2 mod	55w x 160h x 94d	GD102T
	4 mod	110w x 180h x 94d	GD104T
	6 mod	148w x 180h x 94d	GD106T



GD104T

Doors for GD Surface Mounted Pole Cover Enclosures

To suit	Cat ref. Transparent door	Cat ref. Opaque door
GD102T	GP102T	GP102P
GD104T	GP104T	GP104P
GD106T	GP106T	GP106P



GP106P

GD Enclosure suitable for Meter Panels

Description	Number of rows and module(s)	Dimensions (mm)	Cat ref.
Plastic sub-board to mount to black meter panel. - DIN rail and no back plate	1 row, 10 mod (Expandable to 12)	250w x 140h x 65d	GD10T



GD10T

Pre-loaded GD Enclosures

Description	Number of rows and module(s)	Characteristics	Cat ref.
Plastic enclosure, GD10T with DIN rail, fire rated back plate, KDN180A busbar and 2AR904AU brass terminal set.	1 row, 10 mod (Expandable to 12)	Supplied with: 1 x ADC910T 2 x ADC916T 1 x ADC920T	GD10VIC1
GD Meter isolators *Refer to Meterboxes Page 26		Supplied with: 1 x GD102T 1 x NDN163	GD163AQ
		1 x GD104T 1 x NDN363	GD363AQ



GD10VIC1

GD Enclosure Accessories

Description	Cat ref.
Locking kit with 2 keys - 61005 - Also suits GD1xxT above	VZ313
Spare key - 61005 - fits VZ313	VZ312
Pole filler set - RAL 9010 - 0.5 module wide	JP011
2x brass terminals set - 3 x 35mm ² + 7x16mm ²	2AR904AU



VZ313



2AR904AU

Description

Our VT series are surface or flush mounted enclosures with 1 to 4 rows, allowing for 9 to 12 modules in total.

They are designed for applications that require a robust construction.

Specification

- 150mm between DIN rails
- 1.2mm tough powdercoated galvanised steel construction
- Powdercoated RAL 9002 (light grey)
- IP30
- Suitable for MPD up to 100A, depending on power dissipation loss

Standards

- Complies with AS/NZS 61439-3, AS/NZS 3012 and AS/NZS 5112

Dimension data: [Page 98](#)

Supplied with

- Neutral and Earth links
- circuit ID labels
- 10 x grey pole fillers



VT12S



VT18S



VT09TP

VT Surface and Flush Mounted Enclosures

Number of rows and module(s)	100A brass terminal	16mm ² 35mm ²		Dimensions (mm)	Cat ref. Surface	Cat ref. Flush
		Neutral	Earth			
1 row, 9 mod	Neutral	9	3	260w x 260h x 70d	VT09S	VT09F
	Earth	5	3	305w x 295h x 10d		
1 row, 12 mod	Neutral	12	3	310w x 260h x 70d	VT12S	VT12F
	Earth	6	3	355w x 305h x 10d		
1 row, 18 mod	Neutral	18	3	417w x 260h x 70d	VT18S	VT18F
	Earth	9	3	462w x 305h x 10d		
2 rows of 12 24 mod total	Neutral	24	3	370w x 420h x 70d	VT24S	VT24F
	Earth	12	3	415w x 460h x 10d		
3 rows of 12 36 mod total	Neutral	36	3	370w x 610h x 70d	VT36S	VT36F
	Earth	18	3	415w x 655h x 10d		
4 rows of 12 48 mod total	Neutral	48	3	465w x 750h x 70d	VT48S	VT48F
	Earth	24	3	510w x 795h x 10d		
1 row of 9 mod with 7.5 mod lock cover	Neutral	9	3	259w x 250h x 71d	VT09TP	
	Earth	5	3			
1 row of 12 mod with 10.5 mod lock cover	Neutral	12	3	309w x 259h x 71d	VT12TP	
	Earth	6	3			

VT Enclosure Accessories



VT041

Description	Characteristics	Cat ref.
Top hinged doors with easy knockout for additional lock	To suit VT09S, VT09F	VT041
	To suit VT12S, VT12F	VT042
	To suit VT18S, VT18F	VT043
Side hinged doors with easy knockout for additional lock	To suit VT24S, VT24F	VT044
	To suit VT36S, VT36F	VT045
	To suit VT48S, VT48F	VT046
Top hinged doors with easy knockout for CL001 lock	To suit VT09S, VT09F	VT031
	To suit VT12S, VT12F	VT032
	To suit VT18S, VT18F	VT033
Side hinged doors with easy knockout for CL001 lock	To suit VT24S, VT24F	VT034
	To suit VT36S, VT36F	VT035
	To suit VT48S, VT48F	VT036
Optional extra - key lock suits all VT series doors - with 2 keys - 2333		JK1XKLS
Pole filler set - Grey - 5pk 5.5 mod		JP010
Pole filler set - White - 5pk 0.5 mod		JP011
92268 lock for VT03x doors		VT92268

Description

Our vector series are IP65 surface mounted enclosures with 1 to 4 rows, allowing for 3 to 48 modules in total.

They come with adjustable DIN rail depth for shoulder measurement 47mm and 63mm. Supplied with a reversible, transparent, hinged door.

Specification

- UV resistant
- RAL 7035 (light grey)
- IP65
- IK07 < 12mod, IK08 ≥ 12 mod
- Isolation class II / Double Insulated
- 125mm between DIN rails in 12mod
- 150mm between DIN rails in 18 mod
- VE103H and VE106H suitable for MPDs up to 63A. Other models suitable for 80A.

Supplied with

- Links, 12 modules (KDN180A) or 18 modules (KDN180G) 80A busbar (except for VE103H) and circuit ID labels
- Premarked knock outs for bushes or cable glands M20, M25, M32, M40 and M50
- Two lateral knockouts for cable entry
- Sealable cover and optional locking facilities

Standards

- Complies with AS/NZS 61439-3
- Neutral and Earth links comply with AS/NZS 5112

Dimension data: [Page 99](#)

vector VE Enclosures with transparent door

Number of rows and module(s)	80A brass terminal	80A brass terminal		Busbar	Dimensions (mm)	Cat ref.
		16mm ²	35mm ²			
1 row, 2 mod + 1 moulded blank		-	-	0	111w x 175h x 93d	VE103H
1 row, 4 mod + 2 moulded blanks	Neutral	6	1	1	165w x 190h x 113d	VE106H
	Earth	4	1			
1 row, 8 mod + 2 moulded blanks	Neutral	11	3	1	237w x 210h x 114d	VE110H
	Earth	7	2			
1 row, 12 mod	Neutral	12	6	1	310w x 302h x 151d	VE112H
	Earth	6	2			
1 row, 18 mod	Neutral	18	6	1	418w x 302h x 151d	VE118H
	Earth	10	2			
2 rows of 12, 24 mod total	Neutral	24	8	2	310w x 427h x 151d	VE212H
	Earth	21	1			
2 rows of 18, 36 mod total	Neutral	36	8	2	418w x 452h x 151d	VE218H
	Earth	30	2			
3 rows of 12, 36 mod total	Neutral	37	7	3	310w x 552h x 151d	VE312H
	Earth	31	1			
3 rows of 18, 54 mod total	Neutral	48	8	3	418w x 602h x 151d	VE318H
	Earth	30	2			
4 rows of 12, 48 mod total	Neutral	42	5	4	310w x 677h x 151d	VE412H
	Earth	30	2			



VE112H



VE212H



VE312H

vector VE Enclosure Accessories

Description	Cat ref.
Stainless steel wall fixing bracket kit - allows for fixing the enclosure without drilling holes through it	VZ011
Key lock - supplied with 2 keys - 61005	VZ311
Pole filler set - Grey - 5pk 5.5 mod	JP010
2x brass terminals set - 7 x 16mm ² + 3 x 35mm ²	2AR904AU
Connector - 35mm ² cable adaptor for main neutral link	KM035



VZ011



VZ311

Description

The golf VS are surface mounted enclosures with 1 to 4 rows, allowing for 4 to 72 modules in total and supplied with an opaque or transparent door.

Suitable for all Hager Modular Circuit Protection and for devices up to 70mm installation depth. Door can be fitted on right or left, optional lock and keys. Door opens up to 180°. 125mm between DIN rails.

Supplied with

- Earth & Neutral terminals
- Pole fillers
- Adhesive Circuit identification labels
- Cable management clips
- Supplied with protection film
- 12 modules (KDN180A) or 18 modules (KDN180G) busbar supplied with most references.

Technical data

- IP30 without door
- IP40 with door
- IK07
- Isolation Class II / Double insulated
- Colour RAL 9010: white
- Brass terminals $I_n \leq 80A$
- Q link terminals $I_n \leq 63A$
- Rated insulation voltage: 400V AC/50Hz

Standards

- All golf products conform to AS/NZS 61439-3.
- N&E brass terminals comply to AS/NZS 5112.

Technical information: [Page 100](#)

DIN rail enclosures



VS118PT



VS218PT



VS318TT

VS Surface Mount golf Enclosure with brass terminals 4 - 72 Modules

Number of rows and module(s)	Single phase busbar supplied:	80A brass terminal			Dimensions (mm)	Cat ref. Opaque Door	Cat ref. Transp. door
			16mm ²	35mm ²			
1 row, 4 mod	None	Neutral	4	1	138w x 184h x 99d	VS104PT	VS104TT
		Earth	3	1			
1 row, 8 mod	None	Neutral	8	1	210w x 184h x 99d	VS108PT	VS108TT
		Earth	4	1			
1 row, 12 mod	1 x 12 pole	Neutral	12	6	282w x 252h x 99d	VS112PT	VS112TT
		Earth	6	2			
1 row, 18 mod	1 x 18 pole	Neutral	18	6	390w x 252h x 99d	VS118PT	VS118TT
		Earth	10	2			
2 rows of 12, 24 mod total	2 x 12 pole	Neutral	24	8	282w x 377h x 99d	VS212PT	VS212TT
		Earth	21	1			
2 rows of 18, 36 mod total	2 x 18 pole	Neutral	35	8	390w x 377h x 99d	VS218PT	VS218TT
		Earth	30	2			
3 rows of 12, 36 mod total	3 x 12 pole	Neutral	37	7	282w x 500h x 99d	VS312PT	VS312TT
		Earth	31	1			
3 rows of 18, 54 mod total	3 x 18 pole	Neutral	56	8	390w x 500h x 99d	VS318PT	VS318TT
		Earth	30	2			
4 rows of 12, 48 mod total	4 x 12 pole	Neutral	42	5	282w x 647h x 99d	VS412PT	VS412TT
		Earth	30	2			
4 rows of 18, 72 mod total	4 x 18 pole	Neutral	65	10	390w x 647h x 99d	VS418PT	VS418TT
		Earth	44	4			

VS Surface Mount golf Enclosure with 63A Q link terminals 12 - 72 Modules

Number of rows and module(s)	Single phase busbar	Q link terminal			Dimensions (mm)	Cat ref. Opaque Door	Cat ref. Transp. door
			25mm ² (screw)	4mm ² (Q Link)			
1 row, 12 mod	1 x 12 pole	Neutral	3	15	282w x 252h x 99d	VS112PTQ	VS112TTQ
		Earth	3	11			
1 row, 18 mod	1 x 18 pole	Neutral	4	20	390w x 252h x 99d	VS118PTQ	VS118TTQ
		Earth	5	17			
2 rows of 12, 24 mod total	2 x 12 pole	Neutral	4	20	282w x 377h x 99d	VS212PTQ	VS212TTQ
		Earth	5	17			
2 rows of 18, 36 mod total	2 x 18 pole	Neutral	7	29	390w x 377h x 99d	VS218PTQ	VS218TTQ
		Earth	9	31			
3 rows of 12, 36 mod total	3 x 12 pole	Neutral	7	29	282w x 500h x 99d	VS312PTQ	VS312TTQ
		Earth	9	31			
3 rows of 18, 54 mod total	3 x 18 pole	Neutral	10	42	390w x 500h x 99d	VS318PTQ	VS318TTQ
		Earth	10	34			
4 rows of 12, 48 mod total	4 x 12 pole	Neutral	11	36	282w x 647h x 99d	VS412PTQ	VS412TTQ
		Earth	11	37			
4 rows of 18, 72 mod total	4 x 18 pole	Neutral	13	47	390w x 647h x 99d	VS418PTQ	VS418TTQ
		Earth	17	57			



VS318TTQ



VS412TTQ

Description

The golf VF are flush mounted enclosures with 1 to 4 rows, allowing for 4 to 72 modules in total and supplied with an opaque or transparent door.

Suitable for all Hager Modular Circuit Protection and for devices up to 70mm installation depth. Door can be fitted on right or left, optional lock and keys. Door opens up to 180°. 125mm between DIN rails.

Supplied with

- Earth & neutral terminals
- Pole fillers
- Patented marking system and cable management clips in enclosures > 36 modules
- Supplied with protection film
- 12 modules (KDN180A) or 18 modules (KDN180G) busbar supplied with most references.

Technical data

- IP30 without door
- IP40 with door
- IK07
- Isolation Class II / Double insulated
- Colour RAL 9010: white
- Brass terminals $I_n \leq 80A$
- Q link terminals $I_n \leq 63A$
- Rated insulation voltage: 400V AC/50Hz

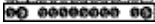
Standards

- All golf products conform to AS/NZS 61439-3.
- N&E brass terminals comply to AS/NZS 5112.

Technical information: [Page 101](#)

VF Flush Mount golf Enclosure with 80A brass terminals

4 - 72 Modules

Number of rows and module(s)	Single phase busbar supplied:	80A brass terminal 			Dimensions (mm)	Cat ref. Opaque Door	Cat ref. Transp. door
		16mm ²	35mm ²				
1 row, 4 mod	None	Neutral	4	1	204w x 225h x 72d	VF104PT	VF104TT
		Earth	3	1			
1 row, 8 mod	None	Neutral	8	1	275w x 225h x 72d	VF108PT	VF108TT
		Earth	4	1			
1 row, 12 mod	1 x 12 pole	Neutral	12	6	352w x 293h x 72d	VF112PT	VF112TT
		Earth	6	2			
1 row, 18 mod	1 x 18 pole	Neutral	18	6	460w x 293h x 72d	VF118PT	VF118TT
		Earth	10	2			
2 rows of 12, 24 mod total	2 x 12 pole	Neutral	24	8	352w x 418h x 72d	VF212PT	VF212TT
		Earth	21	1			
2 rows of 18, 36 mod total	2 x 18 pole	Neutral	35	8	460w x 418h x 72d	VF218PT	VF218TT
		Earth	30	2			
3 rows of 12, 36 mod total	3 x 12 pole	Neutral	37	7	352w x 543h x 72d	VF312PT	VF312TT
		Earth	31	1			
3 rows of 18, 54 mod total	3 x 18 pole	Neutral	56	8	460w x 543h x 72d	VF318PT	VF318TT
		Earth	30	2			
4 rows of 12, 48 mod total	4 x 12 pole	Neutral	42	5	352w x 688h x 72d	VF412PT	VF412TT
		Earth	30	2			
4 rows of 18, 72 mod total	4 x 18 pole	Neutral	65	10	460w x 688h x 72d	VF418PT	VF418TT
		Earth	44	4			



VF112PT



VF218PT




VF318TT

DIN rail enclosures

VF Flush Mount golf Enclosure with 63A Q link terminals

12 - 72 Modules

Number of rows and module(s)	Single phase busbar	Q link terminal 	25mm ²	4mm ²	Dimensions (mm)	Cat ref. Opaque Door	Cat ref. Transp. door
			(screw)	(Q Link)			
1 row, 12 mod	1 x 12 pole	Neutral	3	15	352w x 293h x 72d	VF112PTQ	VF112TTQ
		Earth	3	11			
1 row, 18 mod	1 x 18 pole	Neutral	4	20	460w x 293h x 72d	VF118PTQ	VF118TTQ
		Earth	5	17			
2 rows of 12, 24 mod total	2 x 12 pole	Neutral	4	20	352w x 418h x 72d	VF212PTQ	VF212TTQ
		Earth	5	17			
2 rows of 18, 36 mod total	2 x 18 pole	Neutral	7	29	460w x 418h x 72d	VF218PTQ	VF218TTQ
		Earth	9	31			
3 rows of 12, 36 mod total	3 x 12 pole	Neutral	7	29	352w x 543h x 72d	VF312PTQ	VF312TTQ
		Earth	9	31			
3 rows of 18, 54 mod total	3 x 18 pole	Neutral	10	42	460w x 543h x 72d	VF318PTQ	VF318TTQ
		Earth	10	34			
4 rows of 12, 48 mod total	4 x 12 pole	Neutral	11	36	352w x 688h x 72d	VF412PTQ	VF412TTQ
		Earth	11	37			
4 rows of 18, 72 mod total	4 x 18 pole	Neutral	13	47	460w x 688h x 72d	VF418PTQ	VF418TTQ
		Earth	17	57			



VF318TTQ



VF412TTQ

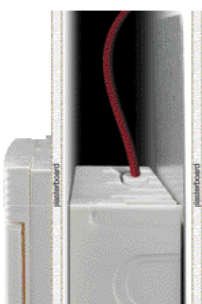
Description

golf Enclosure Accessories includes an extensive range, from cable retainers to hollow wall anchors, keys, locks and doors. Every feature is conceived to save time and simplify installation.

Earthed metal back plate

dimensions: [Page 101](#)

DIN rail enclosures



Earthed Metal Back Plate for golf VF

Provides mechanical protection of cables

To suit	Pack	Cat ref.
VF112	1	VF112BP
VF118	1	VF118BP
VF212	1	VF212BP
VF218	1	VF218BP
VF312	1	VF312BP
VF318	1	VF318BP
VF412	1	VF412BP
VF418	1	VF418BP



VZ794N



VZ699N



2AR904AU

golf VF/VS Accessories

Description	Pack	Cat ref.
Pole filler set - Grey - 5pk 5.5 mod		JP010
Pole filler set - White - 5pk 0.5 mod		JP011
Key lock supplied with 2 keys - 61005	1	VZ794N
Cable guides VF/VS	1	VZ699N
White adhesive labeling strip - 10 pieces 31mm high, 369mm long	1	VZ788N
Hollow wall anchors (prawn clips) - suit VF adhesive enclosures (Set of 4) For plaster walls from 7 to 30mm thickness	1	VZ696N
2x brass terminals set 7 x 16mm ² + 3 x 35mm ²	1	2AR904AU
Kit with 4 plastic screws for golf cover surface mount	1	VZ862N
Kit with 12 metal screws for golf cover flush mount	1	VZ970N
Connector - 35mm ² cable adaptor for main neutral link	1	KM035



VZ620N



VZ630N

Doors

Description	Cat ref.	
	Opaque door	Transp. door
VF/VS104	VZ601N	VZ621N
VF/VS108	VZ602N	VZ622N
VF/VS112	VZ603N	VZ623N
VF/VS212	VZ604N	VZ624N
VF/VS312	VZ605N	VZ625N
VF/VS412	VZ606N	VZ626N
VF/VS118	VZ607N	VZ627N
VF/VS218	VZ608N	VZ628N
VF/VS318	VZ609N	VZ629N
VF/VS418	VZ610N	VZ630N

Description

Our golf Home Networking Enclosures allow you to combine Mains Distribution Boards with home networking or as a stand alone enclosure.

VS Surface and VF Flush mount available.

Features

- 18 pole wide enclosures
- Steel mounting pan
- Vented door
- DIN rail (12 mods wide)
- Reversible door
- Suitable and compliant to NBN requirements for NTD and BBPSU

VF Flush mount only features

- Vertical double outlet
- Slider (incorporates power outlet mounting block)

NOTE: Double sliders for use with 18 module wide VF flush enclosures only.

Technical information:

Surface mount [Page 100](#)
 Flush mount [Page 101](#)
 NBN mounting [Page 101](#)

VS Surface Mount Enclosures

Description	Number of rows and module(s)	Dimensions (mm)	Cat ref.
Surface enclosure with	1 x row of 12 (optional)	390w x 252h x 99d	VS218PZD
- Vented door		390w x 500h x 99d	VS318PZD
- Mounting pan		390w x 647h x 99d	VS418PZD
- DIN rail (not fitted)			



VS218PZD

VF Flush Mount Enclosures

Description	Number of rows and module(s)	Dimensions (mm)	Cat ref.
Flush enclosure with:	1 x row of 12	460w x 418h x 72d	VF218PZD
- Vented door		460w x 543h x 72d	VF318PZD
- Pre installed vertical twin socket		460w x 688h x 72d	VF418PZD
- Mounting pan			
- DIN rail			
- Single slider			



VF218PZD

VF Flush Mount Extension Box

Description	Number of rows and module(s)	Dimensions (mm)	Cat ref.
Flush enclosure with:	1 x row of 12	460w x 418h x 72d	VF218PZE
- Reversible vented door			
- Mounting pan			
- Pre installed vertical twin socket			
- DIN rail			
- Double slider (VZ850N) for combining and extending any other VFx18 golf enclosure			



VF218PZE

Sliders & Accessories

Hager Sliders are designed to allow installers to modify or join flush mount, 18 module wide, golf enclosures to have a double power outlet.

Description	Suits	Cat ref.
Single slider	VFx18	VZ852N
- Provides mounting point for a double outlet		
- Can be installed top or bottom of enclosure		
Double hybrid slider	VFx18	★ VZ849N
- Used to combine LV and home networking / VDI, double insulated, includes isolation plate		
- Supports 1x double outlet and 1x terminal bar on opposite sides		
Double slider	VFx18	VZ850N
- Used to combine two Home Networking / VDI enclosures		
- Mounting point for 2x double outlet (1x socket outlet in each enclosure)		
Spare isolation plate for double sliders	VZ850N	VZ851N
- between low voltage and extra low voltage		
- between main distribution board and home networking enclosure		
Socket Twin 10A Vertical Shutter	VFx18	WBP2VS-ZD



VZ852N



VZ849N



VZ850N



VZ851N

Description

Our TN media enclosure allows you to integrate multimedia device and network cabling in your projects, allowing segregation and easy access when needed. It also helps decrease visual clutter of data cable and telecommunication equipment.

Features

- 1 DIN rail for 18 modules
- Semi-equipped enclosure
- Modular range, easy to install
- Individual RJ45 Cat 6 patch modules
- Versatile mounting grid for securing equipment
- Easily mountable over existing power outlet in a garage

TN Network Enclosure (pre-equipped)

Description	Number of rows and module(s)	Dimensions (mm)	Cat ref.
Mounting grid Suitable for use as a NBN NTD / NBN connection box	1 row, 18 mod	625h x 355w x 130d	TN470D

Supplied with:

- 8 x RJ45 UTP Cat 6 patch modules (TN003S)
- 4 x RJ45 patch cables (Cat 6 S/FTP 0.3m) (TN733B)
- 1 x 4 output telephone splitter (TN131)
- Vented door (GP418P)
- Mounting pan



TN470D

DIN rail enclosures

Description

The components that come supplied as standard within the Hager TN network enclosures are also available separately.

Patching modules in Cat6 and Cat6 shielded, F-type modules, telephone splitters and other accessories are available.

The TN003S and TN002S Cat6 UTP and STP patch modules provide a toolless wiring system (no punch down required) with positive cable retention ensuring every cable remains in place and stays connected.

The TN111 2 in 8 out telephone splitter can be bridged to give a 1 in 8 out configuration if required.

General accessories

Description	Characteristics	Cat ref.
Connectors	RJ45 Cat 6 shielded patch modules	TN002S
	RJ45 Cat 6 unshielded patch modules	TN003S
	Coax F/F module	TN010S
RJ45 splitter	1 RJ45 input / 4 RJ45 output	TN131
	2 RJ45 input / 8 RJ45 output	TN111
Din rail	Din rail to suit golf 12 pole / module length	VZ854N
Patch cable	RJ45 Cat 6 patch cable 0.5m	TN735B
Segregation Plate	for VZ850N	VZ851N
Replacement doors	for VS/VF218	VZ855N
	for VS/VF318	VZ856N
	for VS/VF418	VZ857N
Key lock supplied with 2 keys	61005 for golf enclosure	VZ794N



TN010S

TN002S

DIN rail enclosures



TN131



TN735B

Description

Our vega D series offers surface or flush mounted enclosures with 4 to 7 rows, allowing for 96 to 168 modules in total.

They combine sheet metal and injected plastic to achieve a light yet strong double insulated enclosure perfect for commercial installations or smart homes.

Features

- 150mm between DIN rails
- IP30 / IK07 without door
- IP40 / IK08 with door - flush
- IP41 / IK08 with door - surface
- Removable chassis with DIN rails for ease of installation.
- Powder coated metal exterior
- Pole fillers
- Cable brackets on each DIN rail
- Marking strips / label holders

Standards

Compliant to AS/NZS 5112 and AS/NZS 61439-3.

Supplied with Hybrid Q-link Earth links only. Additional Neutral or Phase Hybrid Q-links must be ordered separately.

Dimension data: [Page 102](#)

DIN rail enclosures



FD42DN



FD72DN

vega D FD surface and FU flush enclosures without doors

Description	Number of rows and module(s)	Dimensions (mm)	Cat ref. Surface	Cat ref. Flush
Supplied with: 1 x terminal mount (FD00Q1) 1 x Q-link Earth - (KN22E) 1 x Q-link Earth - (KN26E)	4 rows of 24, 96 mod total	750h x 550w x 193d 837h x 550w x 150d	FD42DN	FU42DN
	5 rows of 24, 120 mod total	900h x 550w x 193d 987h x 550w x 150d	FD52DN	FU52DN
Supplied with: 2 x terminal mounts (FD00Q1) 3 x Q-link Earth - (KN26E)	6 rows of 24, 144 mod total	1050h x 550w x 193d 1137h x 550w x 150d	FD62DN	FU62DN
	7 rows of 24, 168 mod total	1200h x 550w x 193d 1287h x 550w x 150d	FD72DN	FU72DN

vega D transparent doors



FD52TN

Description	Characteristics	Cat ref.
Reversible, suitable for FD surface and FU flush enclosures. Sheet metal and powder coated, c/w 3mm hardened glass. Inclusion of door improves isolation class to IP41.	To suit FD42DN or FU42DN	FD42TN
	To suit FD52DN or FU52DN	FD52TN
	To suit FD62DN or FU62DN	FD62TN
	To suit FD72DN or FU72DN	FD72TN

vega D plain doors



FD52PN

Description	Characteristics	Cat ref.
Reversible, suitable for FD surface and FU flush enclosures. Sheet metal and powder coated. Inclusion of door improves isolation class to IP41.	To suit FD42DN or FU42DN	FD42PN
	To suit FD52DN or FU52DN	FD52PN
	To suit FD62DN or FU62DN	FD62PN
	To suit FD72DN or FU72DN	FD72PN

Accessories

Description	Characteristics	Cat ref.
Standard vega D door latch	Standard rotary latch, can be sealed with max Ø1.5mm wire	FD00S0
vega D keyed lock	Used to upgrade the standard latch to lock and key. Key No.1242E	FD00S1
Circuit schedule holder	To suit A4 sized document	FZ794
Black universal support to mount Q-Link terminal blocks	Can mount a combination of up to 6 modules wide Q Link terminals	KN00A
Enclosure width support to mount Hybrid Q-Link terminal blocks	Can mount a combination of up to 24 mod* wide KN Hybrid Q-Link terminals	FD00Q1
Neutral Hybrid Q-Link terminal blocks 63A (Blue)	2 x 25mm ² (screw) + 8 x 4mm ² (Q Link) terminal	2.5 mod* wide KN10N
	3 x 25mm ² (screw) + 11 x 4mm ² (Q Link) terminal	3.5 mod* wide KN14N
	4 x 25mm ² (screw) + 14 x 4mm ² (Q Link) terminal	4 mod* wide KN18N
	5 x 25mm ² (screw) + 17 x 4mm ² (Q Link) terminal	5 mod* wide KN22N
	6 x 25mm ² (screw) + 20 x 4mm ² (Q Link) terminal	6 mod* wide KN26N
	Blue bridging clip x 10	KN99N
Earth Hybrid Q-Link terminal blocks 63A (Green)	2 x 25mm ² (screw) + 8 x 4mm ² (Q Link) terminal	2.5 mod* wide KN10E
	3 x 25mm ² (screw) + 11 x 4mm ² (Q Link) terminal	3.5 mod* wide KN14E
	4 x 25mm ² (screw) + 14 x 4mm ² (Q Link) terminal	4 mod* wide KN18E
	5 x 25mm ² (screw) + 17 x 4mm ² (Q Link) terminal	5 mod* wide KN22E
	6 x 25mm ² (screw) + 20 x 4mm ² (Q Link) terminal	6 mod* wide KN26E
	Green bridging clip x 10	KN99E
Phase Hybrid Q-Link terminal blocks 63A (Red)	2 x 25mm ² (screw) + 8 x 4mm ² (Q Link) terminal	2.5 mod* wide KN10P
	3 x 25mm ² (screw) + 11 x 4mm ² (Q Link) terminal	3.5 mod* wide KN14P
	4 x 25mm ² (screw) + 14 x 4mm ² (Q Link) terminal	4 mod* wide KN18P
	5 x 25mm ² (screw) + 17 x 4mm ² (Q Link) terminal	5 mod* wide KN22P
	6 x 25mm ² (screw) + 20 x 4mm ² (Q Link) terminal	6 mod* wide KN26P
	Red bridging clip x 10	KN99P
Modular Neutral connecting block 125A	To connect the main neutral cable up to 50mm ² when the enclosure is utilised for low voltage installation.	KRN199
Gear tray module with perforated plate 370 x 290mm to fit non modular device	415mm x 235mm (Not suitable for FU flush enclosures)	FD02C2
Cable management retainer to hide cables below DIN rail	(x20) large (Not suitable for FU flush enclosures)	UZ25V1
	(x20) small	UZ25V2
Retainer support / extension arms	(x20)	UZ01V1
DIN rail to suit vega D	(x2)	UZ02B9
24 pole filler / cover strip	1 strip - 24 modules wide Width 430mm, Height 54mm - to suit 46mm slot Colour: RAL 9010	JP002
Passive vent kit (changes IP41 to IP30)	Pair	FD00P5
Internal partition IP2X for physical separation between higher and lower voltage / current	For FD surface enclosure	FD00A3
	For FU flush enclosure	FD00A5
External wall mount brackets	To fix FD surface enclosures	FD00F2
Mounting anchors (x4) to suit FU flush enclosures	For plaster walls from 7 to 30mm thickness	VZ405N
Frame mounting screws - plastic (x4)	For vega D FU flush and FD surface enclosures	ZZ42BS
Slotted panel trunking, grey, 2 metre length to be cut to 438mm length for horizontal mounting	40 x 30mm for vega D surface and flush	BA7A40030
	60 x 30mm for vega D surface and flush	BA7A60030
	80 x 30mm for vega D surface only	BA7A80030
	100 x 30mm for vega D surface only	BA7A100030



FZ794



KN00A



FD00Q1



KN10N, KN10E, KN10P



FD02C2



UZ25V1

UZ25V1

UZ25V2

UZ01V1

UZ25V2



UZ02B9



JP002



FD00P5



FD00A3

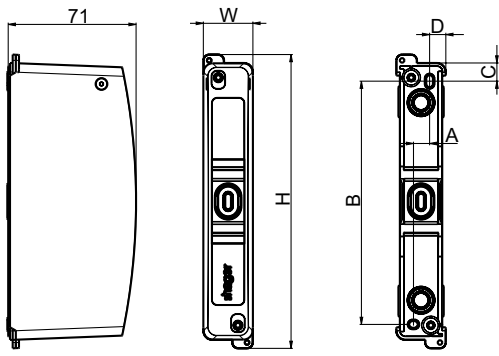


FD00F2



VZ405N

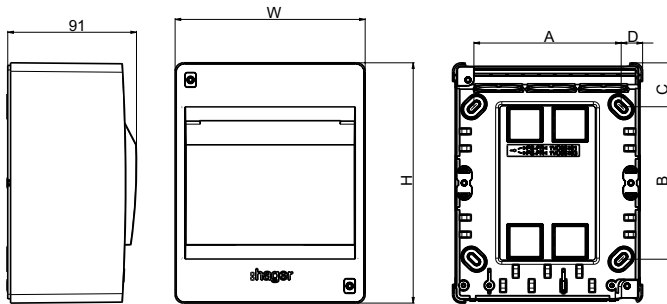
1 to 4 pole VD Enclosures



Refs	Width	Height	A	B	C	D
VD101NT	27.5	163.5	9	135.5	10	9
VD102NT	45.5	163.5	26	135.5	10	9
VD103NT	63.5	163.5	35.5	126	12.5	15
VD104NT	81.5	163.5	52.7	125	13	16

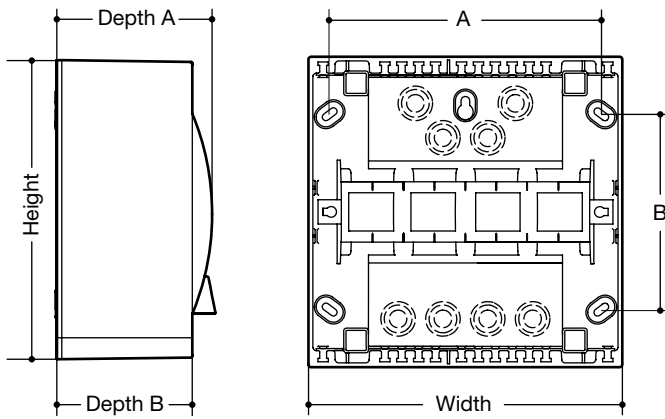
DIN rail enclosures

6 to 10 pole VD Enclosures



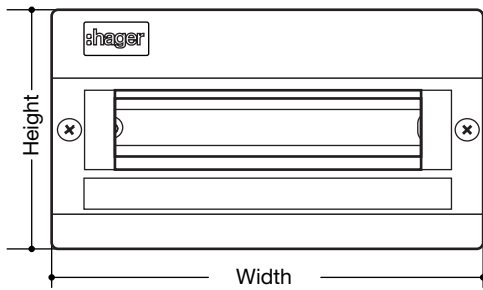
Refs	Width	Height	A	B	C	D
VD106NT	134.5	170	104	108	31	15
VD108NT	170.5	170	139.5	107	31.5	15.5
VD110NT	206.5	170	176	107	32	15
VD112NT	292.5	200	262.5	137	32	15
VD118NT	400	200	371.5	131.5	34	14.5

2 to 6 mod wide GD Enclosures



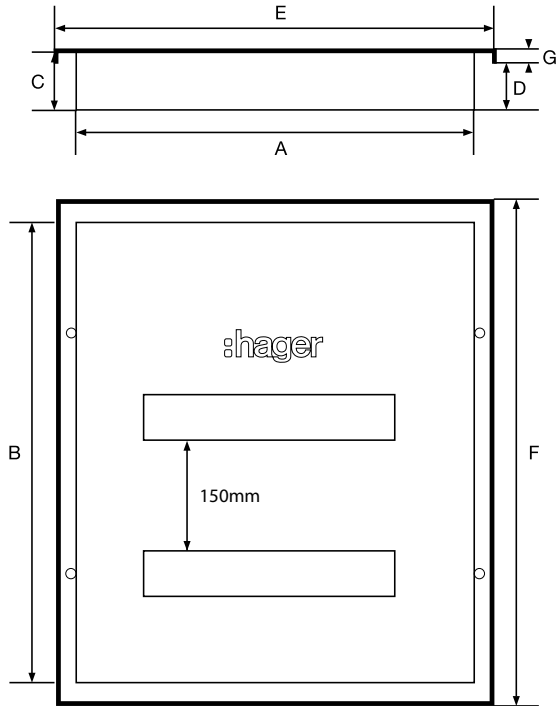
Refs	Dimensions (mm)				Fixing centres	
	Width	Height	Depth A	Depth B	A	B
GD102T	55	160	94	82	N/A	N/A
GD104T	110	180	94	82	86	114
GD106T	148	180	94	82	122	114

GD10T Enclosures



Refs	Dimensions (mm)		
	Width	Height	Depth
GD10T	250	140	65

DIN rail enclosures

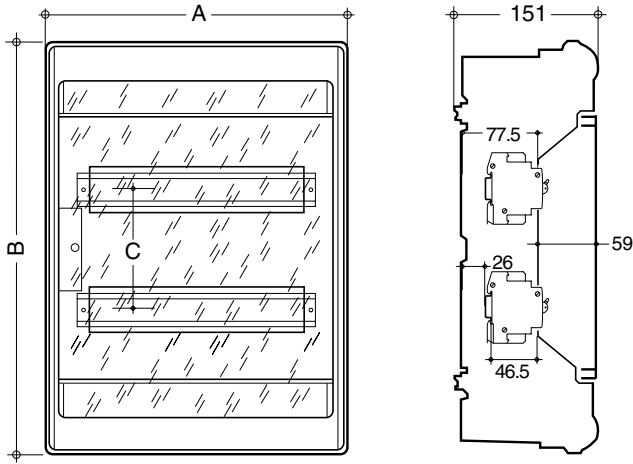


VT Flush Enclosures

Refs	Row	Enclosure sizes (Cut-out)			Escutcheon		
		Width	Height	Recess	Width	Height	Depth
VT09F	1	255	245	60	305	295	10
VT12F	1	305	255	60	355	305	10
VT18F	1	410	255	60	462	305	10
VT24F	2	360	415	60	415	460	10
VT36F	3	360	605	60	415	655	10
VT48F	4	460	745	60	510	795	10

VT Surface Enclosures

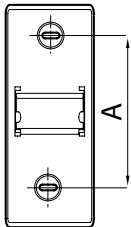
Refs	Row	Enclosure sizes		
		Width	Height	Depth
VT09S	1	A	B	C
VT12S	1	260	260	70
VT18S	1	310	260	70
VT24S	1	417	260	70
VT24S	2	370	420	70
VT36S	3	370	610	70
VT48S	4	465	750	70



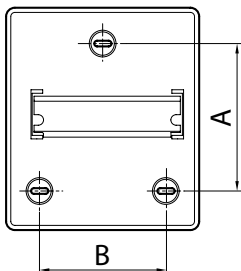
vector Enclosures

References	Width		Height		Between DIN	
	A	B	B	C		
VE103	111		175		N/A	
VE106	165		190		N/A	
VE110	237		210		N/A	
VE112	310		302		N/A	
VE118	418		302		N/A	
VE212	310		427		125	
VE218	418		452		150	
VE312	310		552		125	
VE318	418		602		150	
VE412	310		677		125	

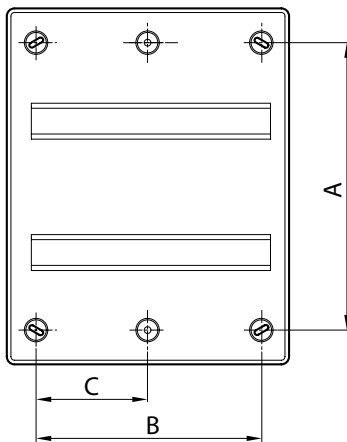
VE103



VE106 - VE110



VE112 - VE318



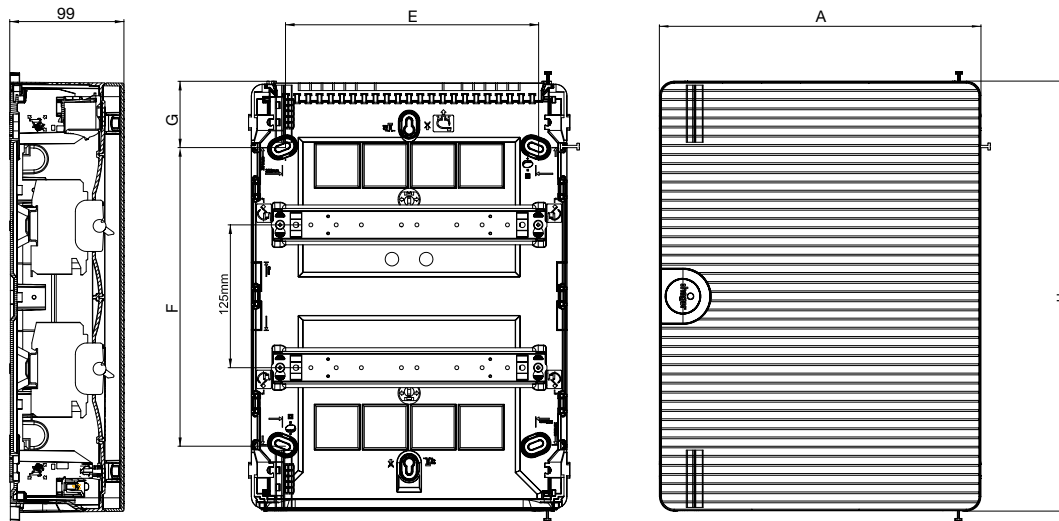
Mounting holes

References	Fixing centres		
	A	B	C
VE103	120	N/A	N/A
VE106	126	108	N/A
VE110	136	180	N/A
VE112	155	230	115
VE212	280	230	115
VE312	405	230	115
VE412	530	230	115
VE118	155	338	169
VE218	305	338	169
VE318	455	338	169

Uniform enclosure dimensions across the golf VS range

The dimensions below are for all golf VS / surface mount enclosures, including the golf home networking VS / surface mount enclosures

DIN rail enclosures



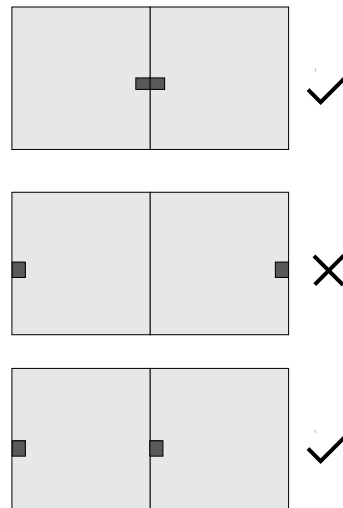
Ref		Dimension		Wall fixation		
		A	H	E	F	G
VS104...	1 row 4I	138	184	101	68	58
VS108...	1 row 8I	210	184	174	68	58
VS112...	1 row 12I	282	252	222	136	58
VS118...	1 row 18I	390	252	330	136	58
VS212...	2 rows of 12I 24I total	282	377	222	261	58
VS218...	2 rows of 18I 36I total	390	377	330	261	58
VS312...	3 rows of 12I 36I total	282	500	222	386	58
VS318...	3 rows of 18I 54I total	390	500	330	386	58
VS412...	4 rows of 12I 48I total	282	647	222	491	78
VS418...	4 rows of 18I 72I total	390	647	330	491	78

Cable entries - top/bottom

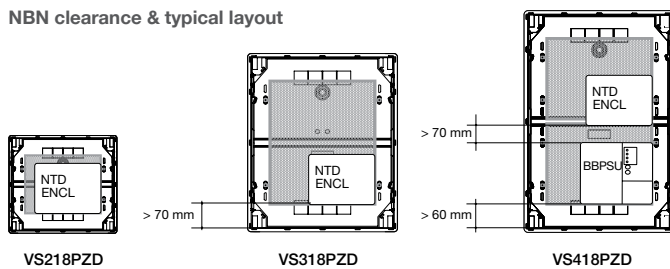
One side of the surface enclosure is designed for the use of trunking and knock outs. The other side of the enclosure has dimples located for the various sizes of conduit entries, 20mm, 25mm, 32mm and 40mm. The enclosure is symmetrical through 180°.

Side by side installation

The design of golf allows for two enclosures to be mounted side by side. However installers should note the door hinges should not both be in the middle.

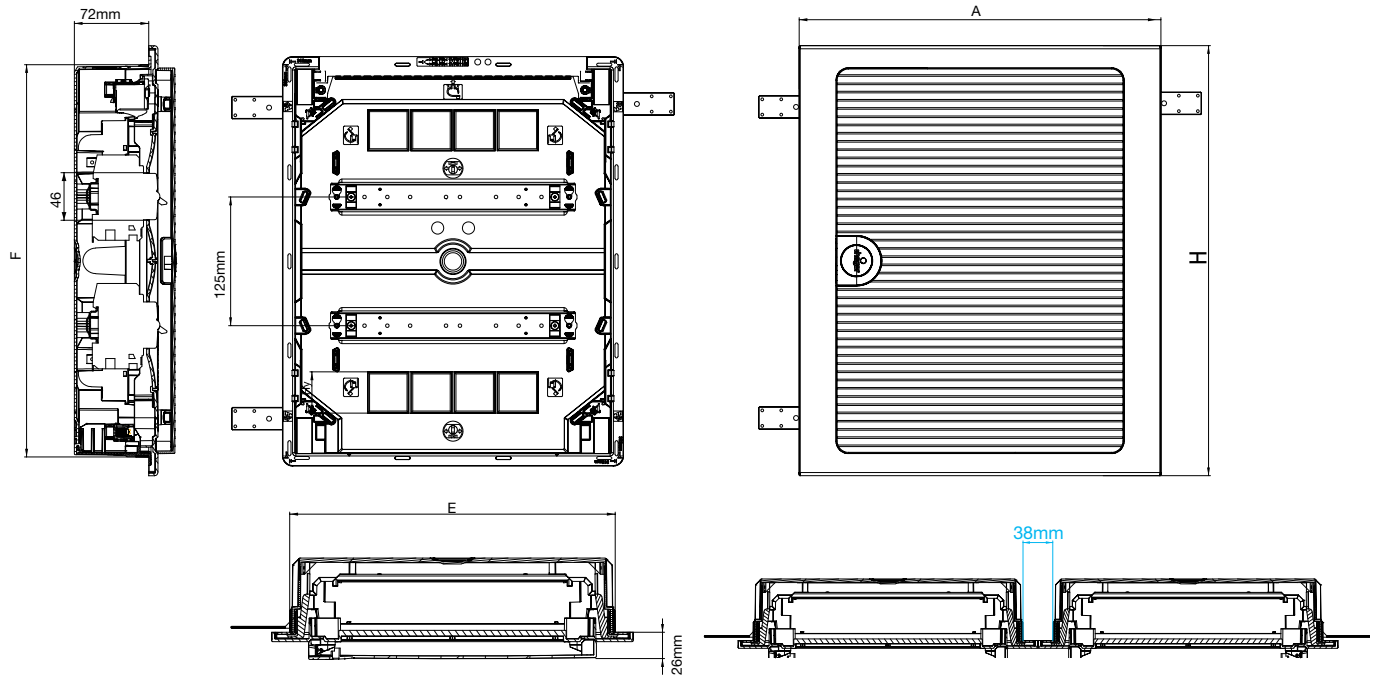


NBN clearance & typical layout



Uniform enclosure dimensions across the golf VF range

The dimensions below are for all golf VF / flush mount enclosures, including the golf home networking VF / flush mount enclosures



Cable entries - top/bottom

The flush enclosures have dimples precut with diameters 20, 25, 32 and 40mm. The wall box is 180° rotatable, to provide slider position on top or bottom.

Flush Ref		Dimension		Wall Cut Out	
		A	H	E	F
VF104...	1 row 4I	204	225	170	189
VF108...	1 row 8I	275	225	242	189
VF112...	1 row 12I	352	293	318	257
VF118...	1 row 18I	460	293	426	257
VF212...	2 rows of 12I 24 total	352	418	318	382
VF218...	2 rows of 18I 36I total	460	418	426	382
VF312...	3 rows of 12I 36I total	352	543	318	507
VF318...	3 rows of 18I 54I total	460	543	426	507
VF412...	4 rows of 12I 48I total	352	688	318	652
VF418...	4 rows of 18I 72I total	460	688	426	652

For the wall cut out, these dimensions are minimal. Depth must always be 72mm min.

Earthed metal back plate dimensions

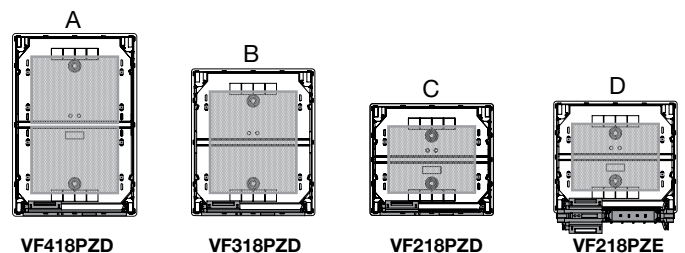
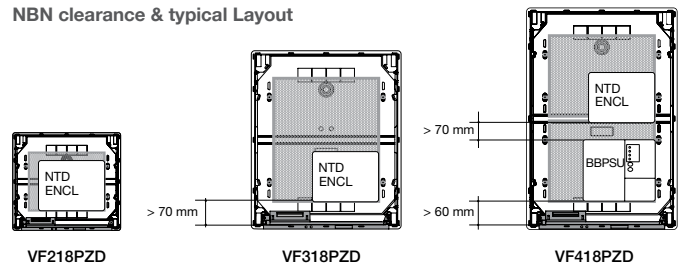
Cat Ref.	Height (mm)	Width (mm)	Thickness (mm)	Suits encl.
VF112BP	353	310	1	VF112xT
VF212BP	478	310	1	VF212xT
VF312BP	602	310	1	VF312xT
VF412BP	748	310	1	VF412xT
VF118BP	353	418	1	VF118xT
VF218BP	478	418	1	VF218xT
VF318BP	602	418	1	VF318xT
VF418BP	748	418	1	VF418xT

Cutout for combined boards utilising double slider

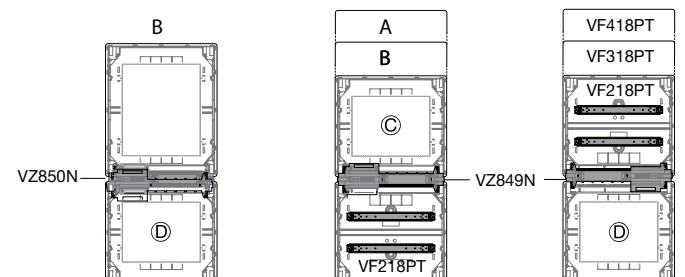
When connecting 2 x VFx18 enclosures with a double slider, an additional 38mm must be added to the total cutout height of the boards.
e.g. VF118PT joining with a VF218PZD = 257mm + 382mm + 38mm.
Total height for the cutout = 677mm.
Width remains consistent at 426mm.

NOTE: Joining double slider for use with 18 module wide flush enclosures only.

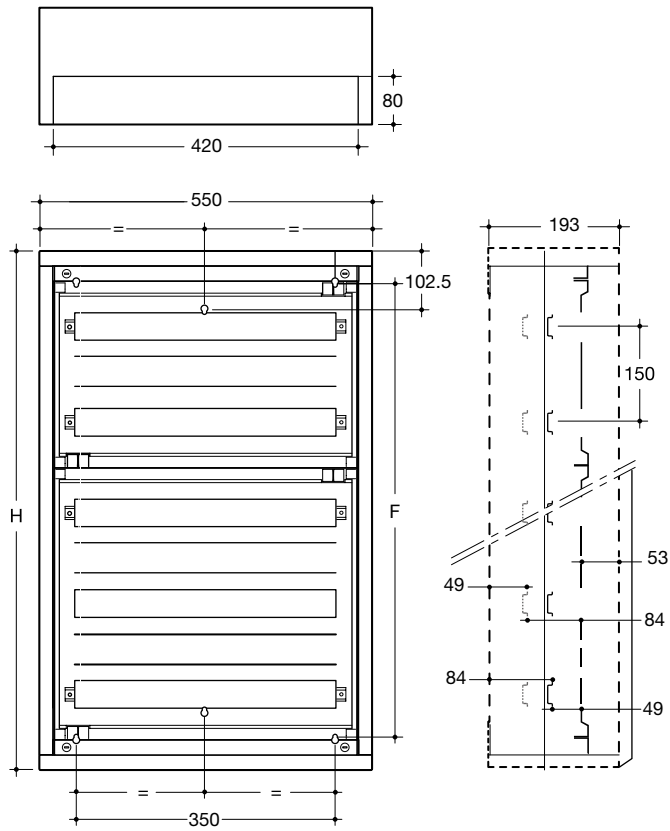
NBN clearance & typical Layout



Example combination of mains distribution and networking combined

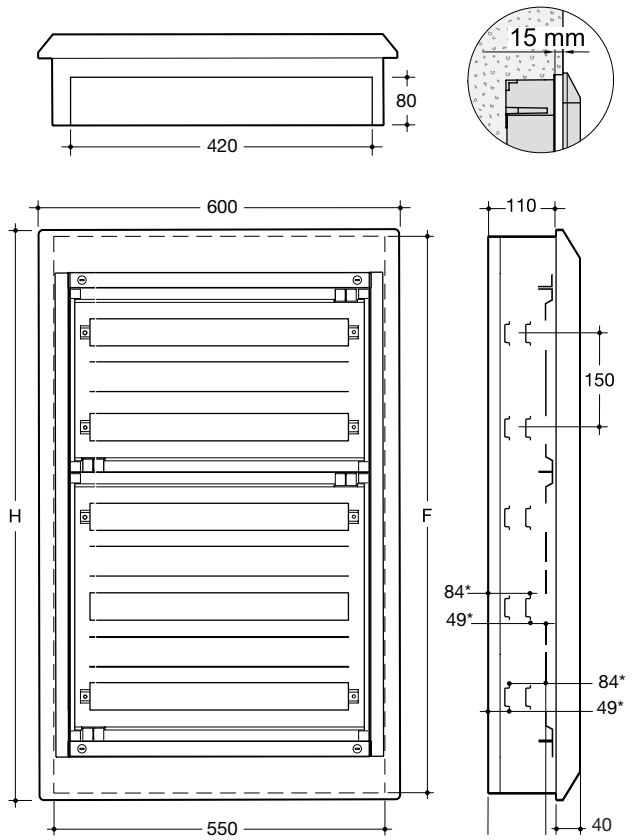


vega D Surface Mount Enclosures



Dims (mm)	H	Fixing centres F
FD42DN	750	625
FD52DN	900	775
FD62DN	1050	925
FD72DN	1200	1075

vega D Flush Mount Enclosures



Dims (mm)	H	Hole height F
FU42DN	837	806
FU52DN	987	956
FU62DN	1137	1106
FU72DN	1287	1256

DIN rail enclosures

**Residential
distribution solutions**

Beautifully simple

The complete system

From its award winning aesthetics on the outside, to our installer friendly onekonekt protection device range, home networking or a combination of both, the golf distribution system is the most flexible, comprehensive and beautifully simple solution on the market.

